

ROECO

Bearing Data

Ball Bearing Units

Bearing No. : **KHPFL204**

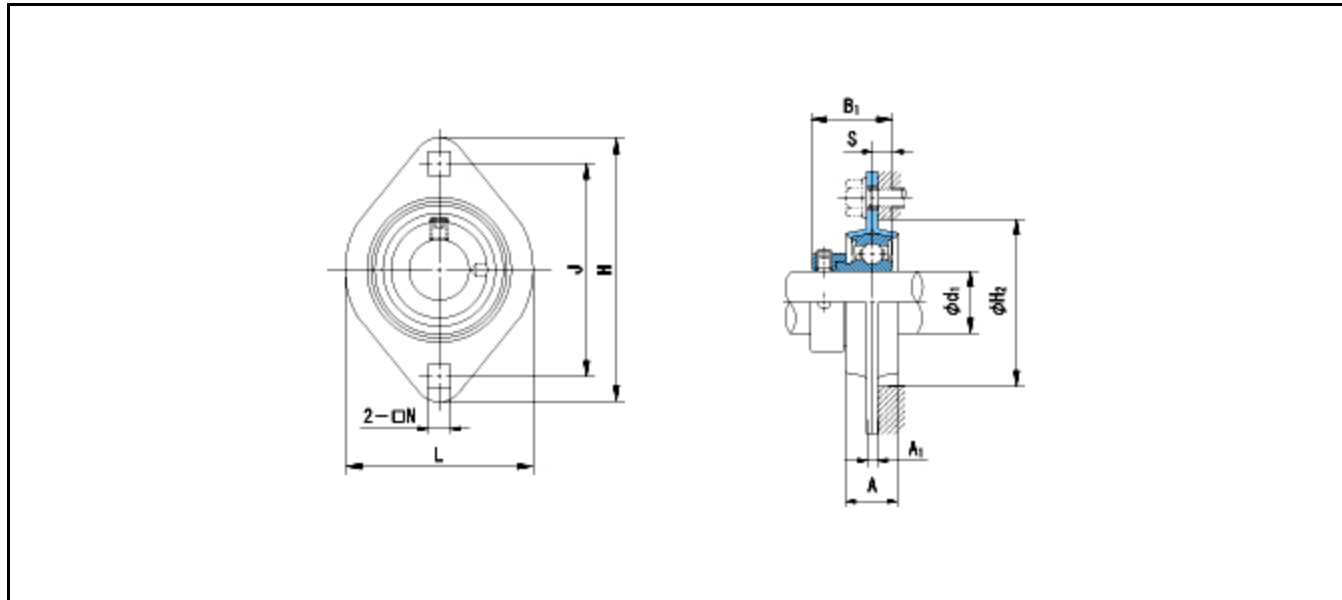
Dimensions

H = 90

L = 67

J = 71.5

N = 9



Dimensions

d1 = 20

A = 16

A1 = 4

H2 = 56

B1 = 31

S = 7.5

Mass = 0.33 kg

Basic Dynamic Load Rating Cr :	12800 N	INNER RING	OUTER RING
Basic Static Load Rating Cor :	6600 N	O.D.Surface Runout with Side :	-
Limiting Speed ;		Axial Runout with Bore :	-
Grease Lubrication :	- rpm	Axial Runout with Raceway :	-
Oil Lubrication :	- rpm	Width Variation :	-
		Radial Runout :	-