

ROECO

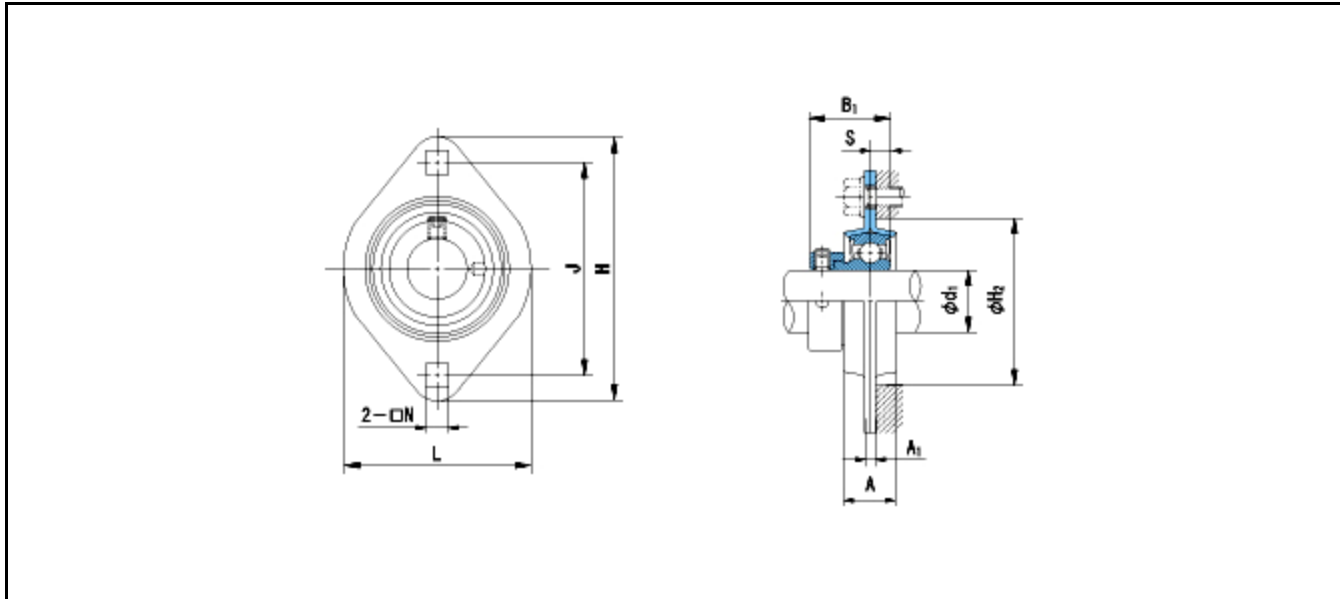
Bearing Data

Ball Bearing Units

Bearing No. : **KHPFL203**

Dimensions

H = 81
L = 59
J = 63.5
N = 7



Dimensions

d1 = 17
A = 14
A1 = 4
H2 = 49
B1 = 28.6
S = 6.5
Mass = 0.25 kg

| | | | |
|---------------------------------------|---------------|---------------------------------------|-------------------|
| Basic Dynamic Load Rating Cr : | 9550 N | INNER RING | OUTER RING |
| Basic Static Load Rating Cor : | 4800 N | O.D.Surface Runout with Side : | - |
| Limiting Speed ; | | Axial Runout with Bore : | - |
| Grease Lubrication : | - rpm | Axial Runout with Raceway : | - |
| Oil Lubrication : | - rpm | Width Variation : | - |
| | | Radial Runout : | - |