

ROECO

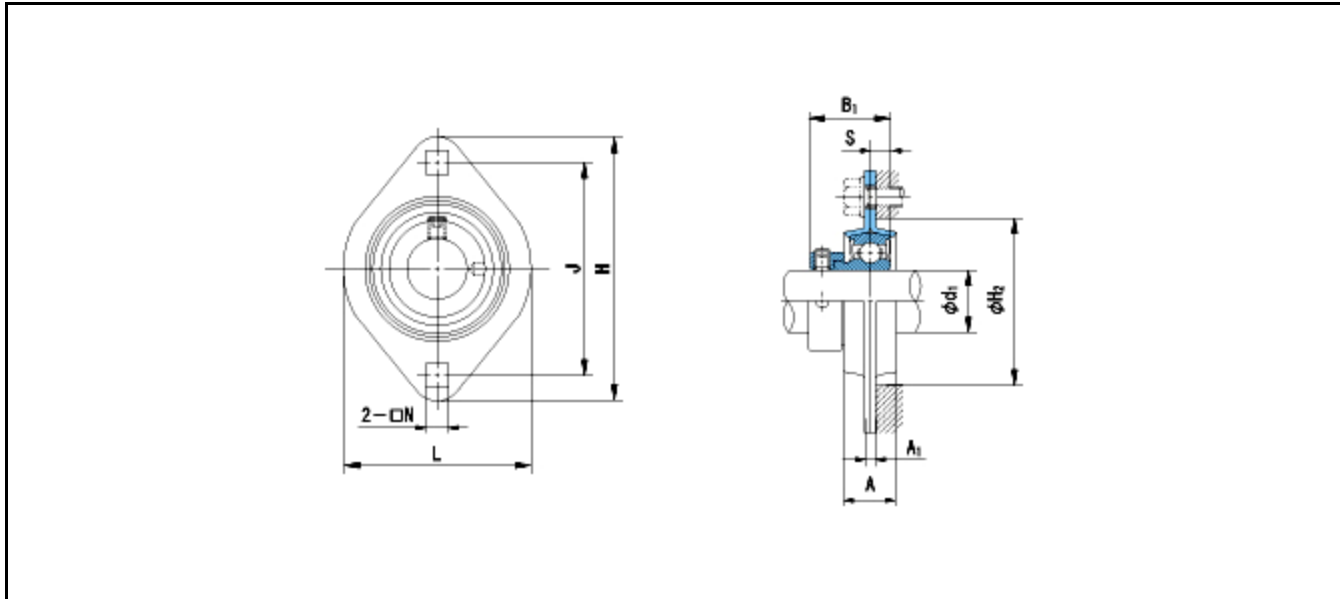
Bearing Data

Ball Bearing Units

Bearing No. : **KHPFL202**

Dimensions

H = 81
L = 59
J = 63.5
N = 7



Dimensions

d1 = 15
A = 14
A1 = 4
H2 = 49
B1 = 28.6
S = 6.5
Mass = 0.26 kg

Basic Dynamic Load Rating Cr :	9550 N	INNER RING	OUTER RING
Basic Static Load Rating Cor :	4800 N	O.D.Surface Runout with Side :	-
Limiting Speed ;		Axial Runout with Bore :	-
Grease Lubrication :	- rpm	Axial Runout with Raceway :	-
Oil Lubrication :	- rpm	Width Variation :	-
		Radial Runout :	-