

ROECO

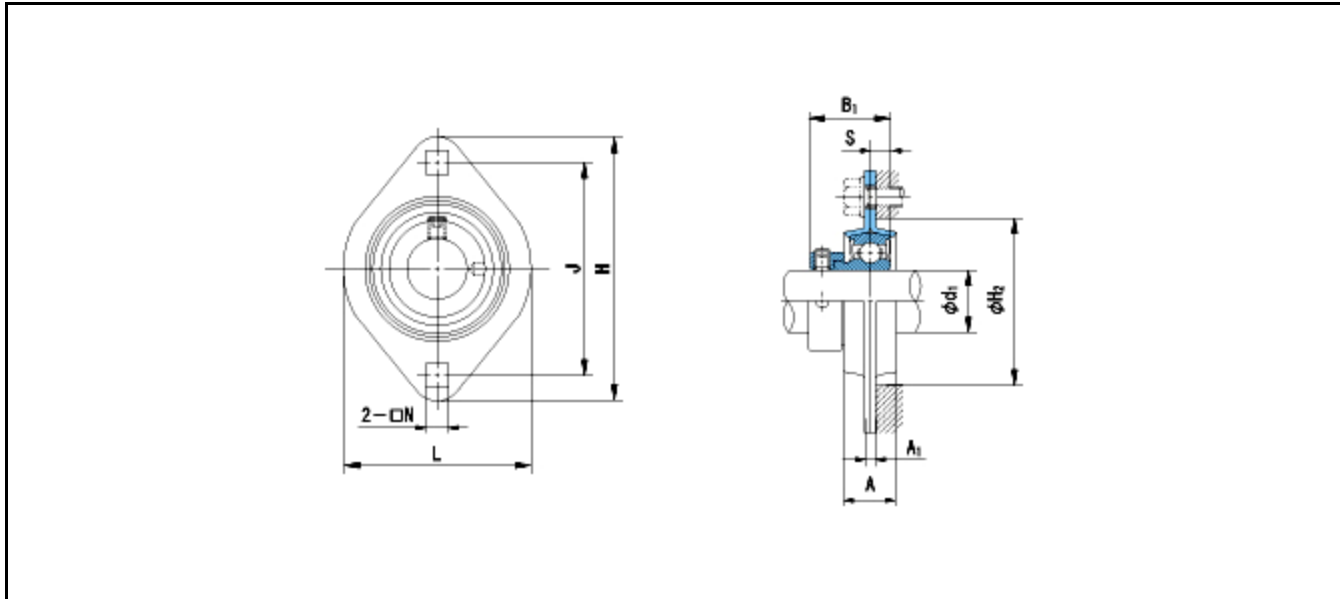
# Bearing Data

## Ball Bearing Units

Bearing No. : **KHPFL201**

Dimensions

H = 81  
L = 59  
J = 63.5  
N = 7



Dimensions

d1 = 12  
A = 14  
A1 = 4  
H2 = 49  
B1 = 28.6  
S = 6.5  
Mass = 0.27 kg

<b>Basic Dynamic Load Rating Cr :</b>	<b>9550 N</b>	<b>INNER RING</b>	<b>OUTER RING</b>
<b>Basic Static Load Rating Cor :</b>	<b>4800 N</b>	<b>O.D.Surface Runout with Side :</b>	-
<b>Limiting Speed ;</b>		<b>Axial Runout with Bore :</b>	-
<b>Grease Lubrication :</b>	- rpm	<b>Axial Runout with Raceway :</b>	-
<b>Oil Lubrication :</b>	- rpm	<b>Width Variation :</b>	-
		<b>Radial Runout :</b>	-