

ROECO

Bearing Data

Ball Bearing Units

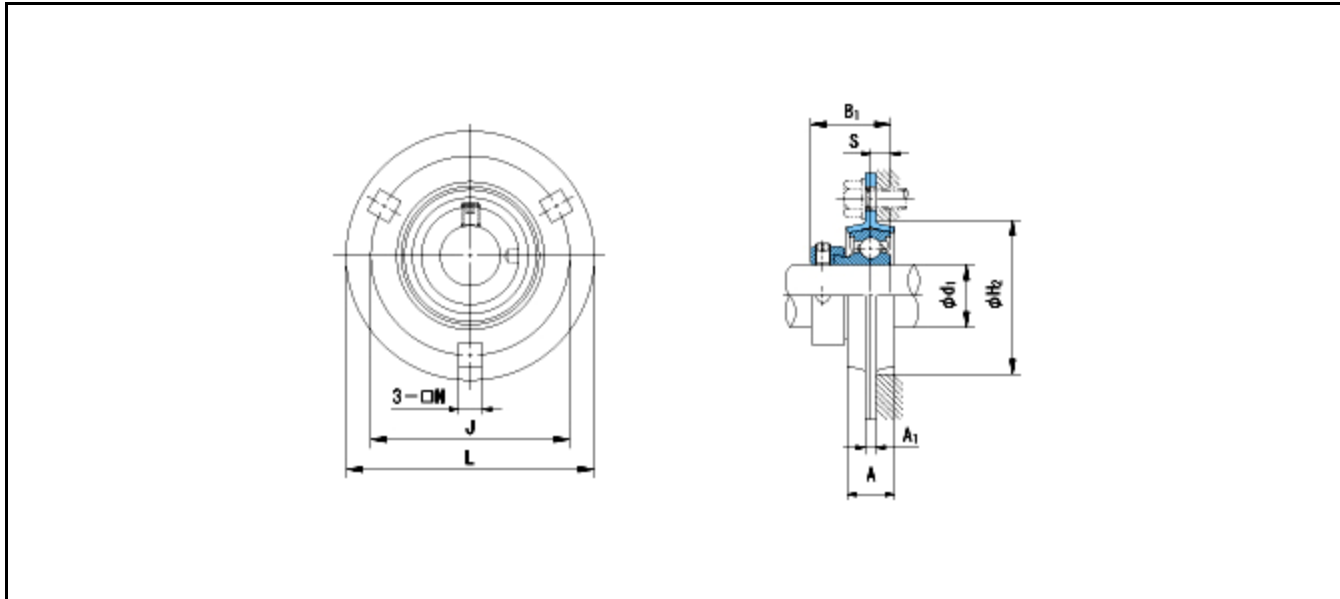
Bearing No. : **KHPF207**

Dimensions

L = 122

J = 100

N = 11



Dimensions

d1 = 35

A = 20

A1 = 5.2

H2 = 81

B1 = 38.9

S = 9.5

Mass = 0.82 kg

Basic Dynamic Load Rating Cr :	25900 N			INNER RING	OUTER RING
Basic Static Load Rating Cor :	15400 N	O.D.Surface Runout with Side :			-
Limiting Speed ;		Axial Runout with Bore :		-	
Grease Lubrication :	- rpm	Axial Runout with Raceway :		-	-
Oil Lubrication :	- rpm	Width Variation :		-	-
		Radial Runout :		-	-