

ROECO

# Bearing Data

## Ball Bearing Units

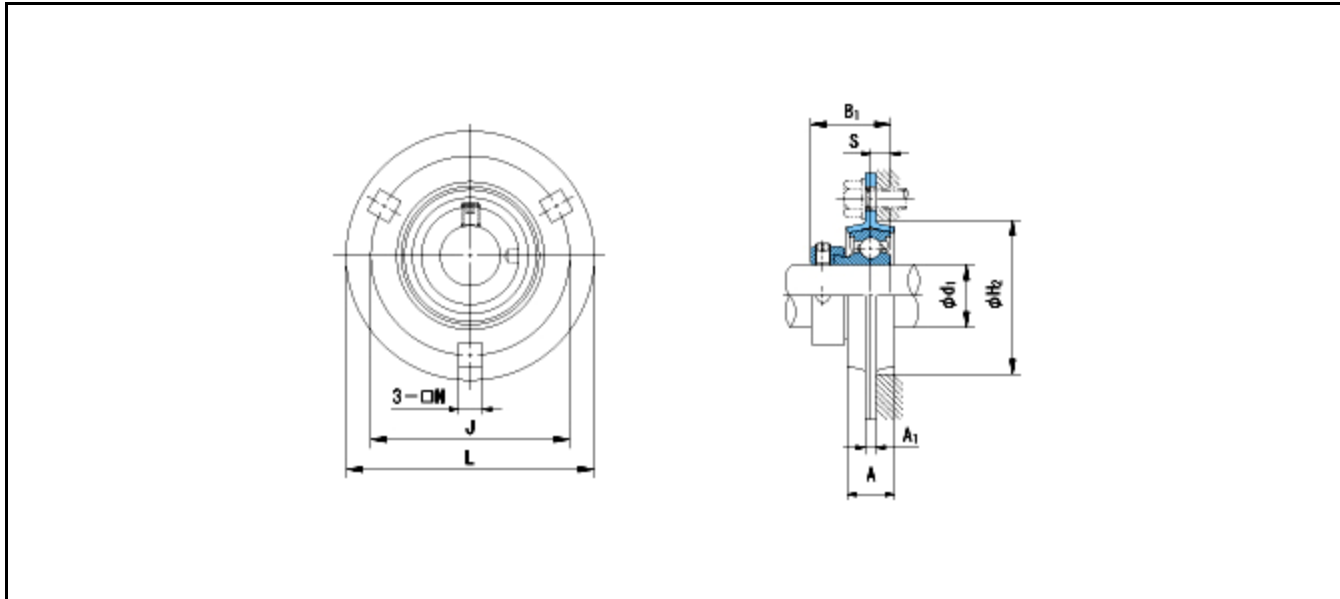
Bearing No. : **KHPF206**

Dimensions

L = 113

J = 90.5

N = 11



Dimensions

d1 = 30

A = 18

A1 = 5.2

H2 = 71

B1 = 35.7

S = 9

Mass = 0.6 kg

<b>Basic Dynamic Load Rating Cr :</b>	<b>19600 N</b>	<b>INNER RING</b>	<b>OUTER RING</b>
<b>Basic Static Load Rating Cor :</b>	<b>11300 N</b>	<b>O.D.Surface Runout with Side :</b>	-
<b>Limiting Speed ;</b>		<b>Axial Runout with Bore :</b>	-
<b>Grease Lubrication :</b>	- rpm	<b>Axial Runout with Raceway :</b>	-
<b>Oil Lubrication :</b>	- rpm	<b>Width Variation :</b>	-
		<b>Radial Runout :</b>	-