

ROECO

## Bearing Data

### Ball Bearing Units

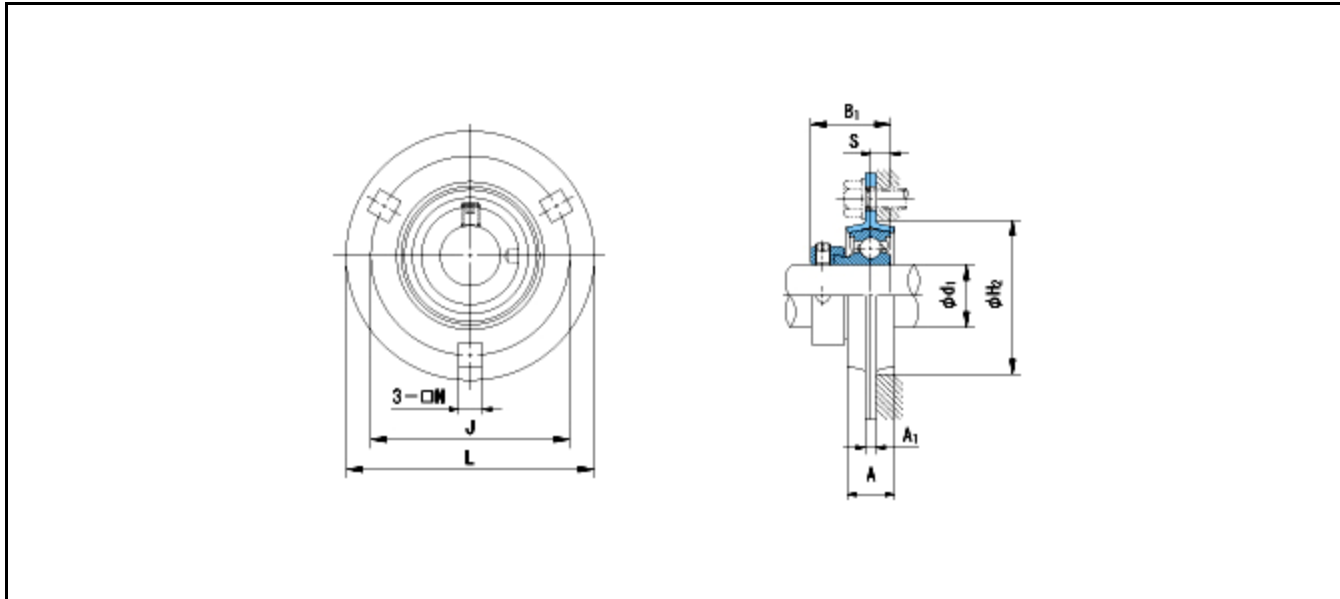
Bearing No. : **KHPF205**

Dimensions

L = 95

J = 76

N = 9



Dimensions

d1 = 25

A = 18

A1 = 4

H2 = 60

B1 = 31

S = 7.5

Mass = 0.39 kg

Basic Dynamic Load Rating Cr :	<b>14000 N</b>			
Basic Static Load Rating Cor :	<b>7900 N</b>	O.D.Surface Runout with Side :		-
Limiting Speed ;		Axial Runout with Bore :		-
Grease Lubrication :	- rpm	Axial Runout with Raceway :		-
Oil Lubrication :	- rpm	Width Variation :		-
		Radial Runout :		-