

ROECO

Bearing Data

Ball Bearing Units

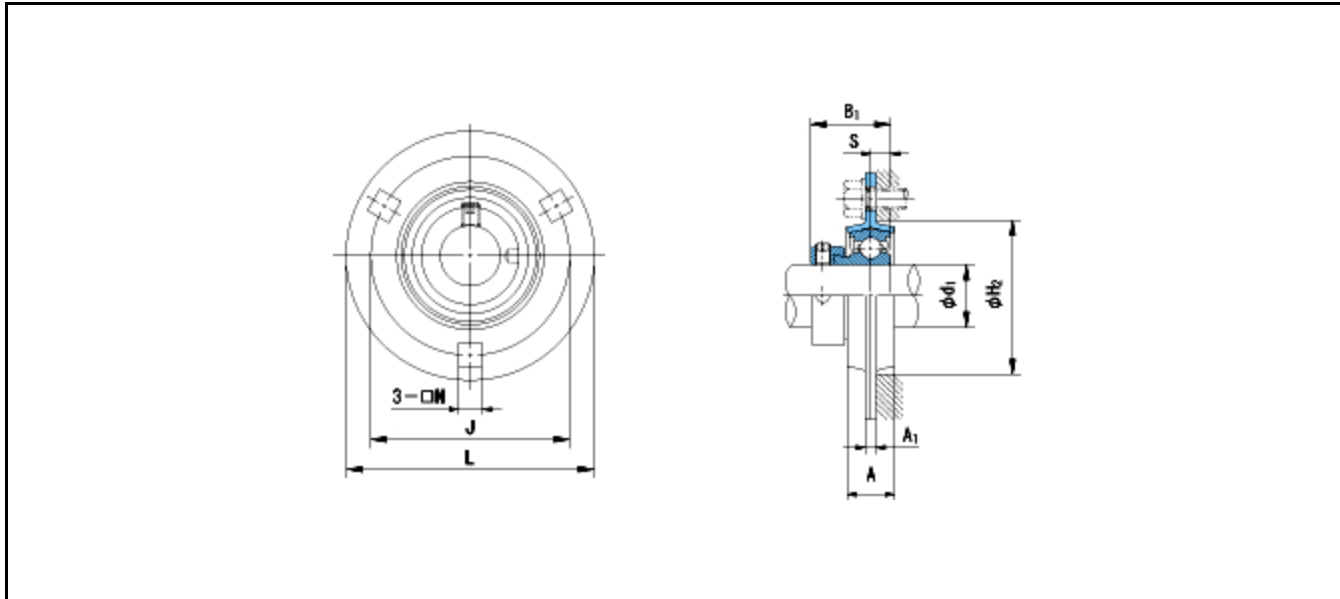
Bearing No. : **KHPF204**

Dimensions

L = 90

J = 71.5

N = 9



Dimensions

d1 = 20

A = 16

A1 = 4

H2 = 56

B1 = 31

S = 7.5

Mass = 0.29 kg

| | | | | |
|--------------------------------|----------------|--------------------------------|-------------------|-------------------|
| Basic Dynamic Load Rating Cr : | 12800 N | | | |
| Basic Static Load Rating Cor : | 6600 N | | | |
| Limiting Speed ; | | | | |
| Grease Lubrication : | - rpm | | | |
| Oil Lubrication : | - rpm | | | |
| | | | INNER RING | OUTER RING |
| | | O.D.Surface Runout with Side : | - | - |
| | | Axial Runout with Bore : | - | - |
| | | Axial Runout with Raceway : | - | - |
| | | Width Variation : | - | - |
| | | Radial Runout : | - | - |