

ROECO

Bearing Data

Ball Bearing Units

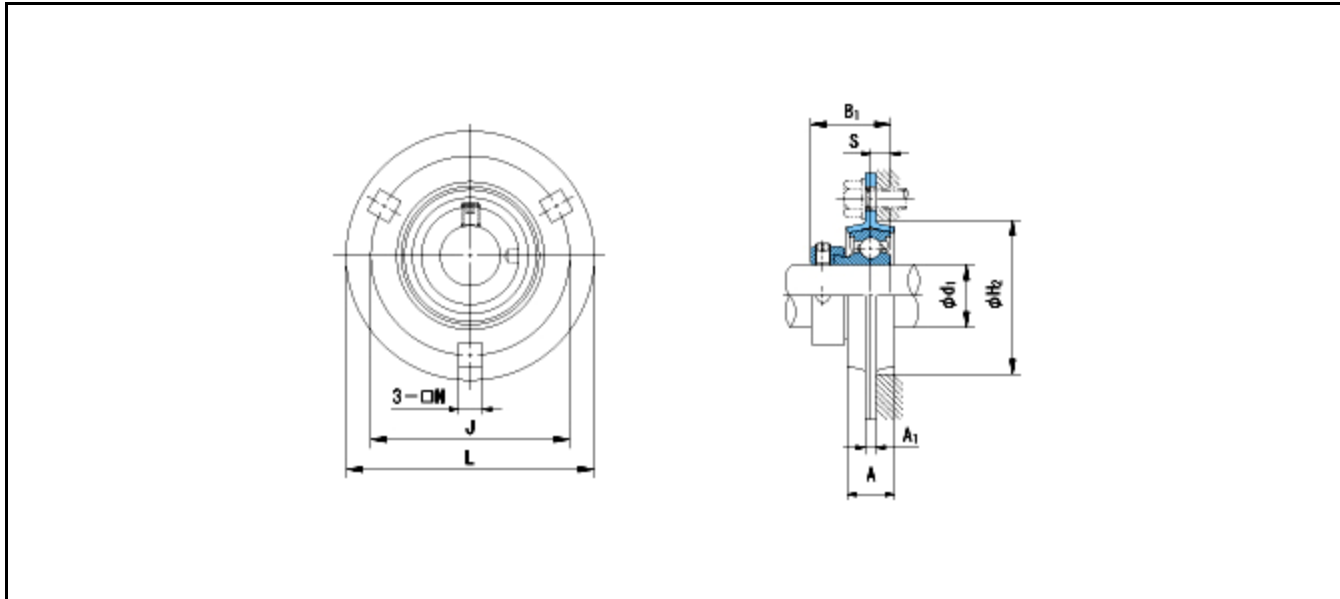
Bearing No. : **KHPF202**

Dimensions

L = 81

J = 63.5

N = 7



Dimensions

d1 = 15

A = 14

A1 = 4

H2 = 49

B1 = 28.6

S = 6.5

Mass = 0.22 kg

Basic Dynamic Load Rating Cr :	9550 N			INNER RING	OUTER RING
Basic Static Load Rating Cor :	4800 N	O.D.Surface Runout with Side :			-
Limiting Speed ;		Axial Runout with Bore :		-	
Grease Lubrication :	- rpm	Axial Runout with Raceway :		-	-
Oil Lubrication :	- rpm	Width Variation :		-	-
		Radial Runout :		-	-