

ROECO

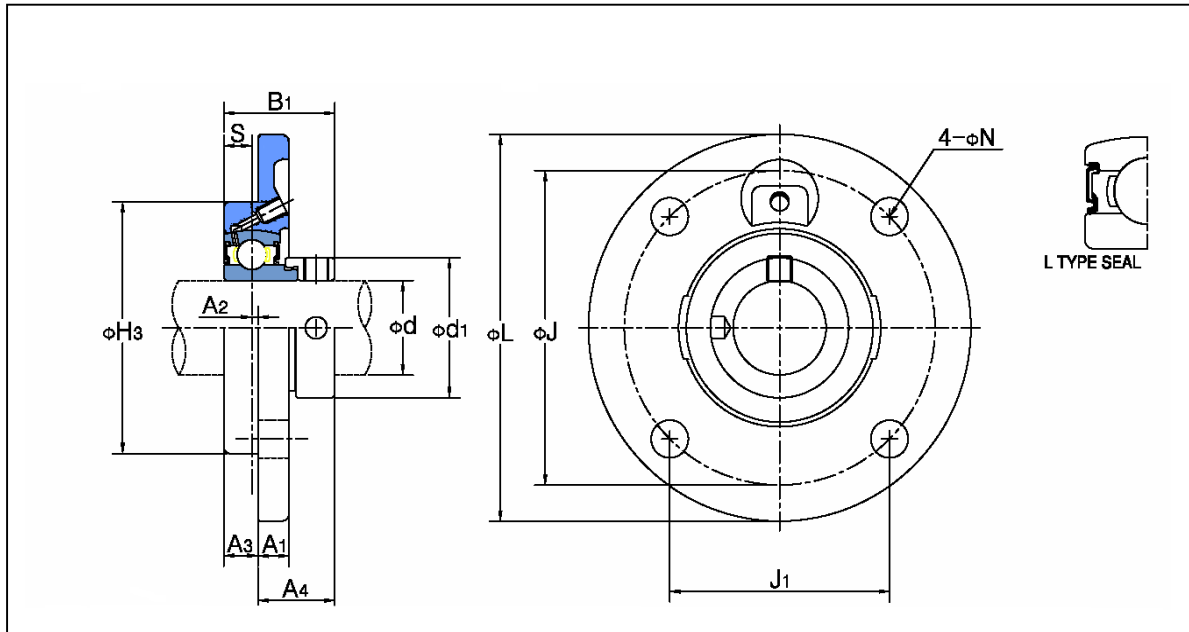
Bearing Data

Ball Bearing Units

Bearing No.: **KHFCC 212**

Dimensions

L = 195
J = 160
J₁ = 113.1
N = 18



Dimensions

d = 60
H₃ = 135
A₁ = 16
A₂ = -0.5
A₃ = 13
A₄ = 59.3
B₁ = 72.3
S = 13.5
d₁ = 84.2
Bolt (mm) = 16
Bolt (inch) = 5/8
Mass (kgf) = 3.83

Basic Dynamic Load Rating C_r: 51387 N

Basic Static Load Rating C_{0r}: 35402 N