

ROECO

## Bearing Data

Ball Bearing Units

Bearing No.: **KHFCC 208**

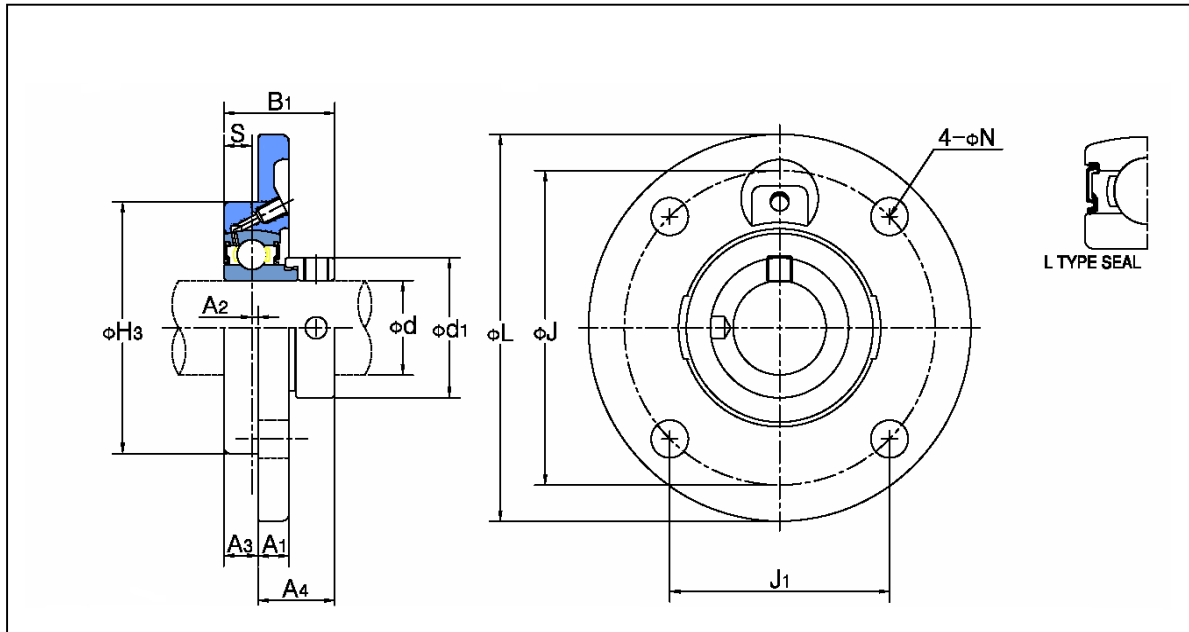
### Dimensions

L = 145

J = 120

J<sub>1</sub> = 84.9

N = 11.5



### Dimensions

d = 40

H<sub>3</sub> = 100

A<sub>1</sub> = 11.5

A<sub>2</sub> = 1.5

A<sub>3</sub> = 12.5

A<sub>4</sub> = 31.2

B<sub>1</sub> = 43.7

S = 11

d<sub>1</sub> = 60.3

Bolt (mm) = 10

Bolt (inch) = 3/8

Mass (kgf) = 1.68

Basic Dynamic Load Rating C<sub>r</sub>: 28537 N

Basic Static Load Rating C<sub>0r</sub>: 17554 N