

ROECO

Bearing Data

Ball Bearing Units

Bearing No.: **KHFCC 207**

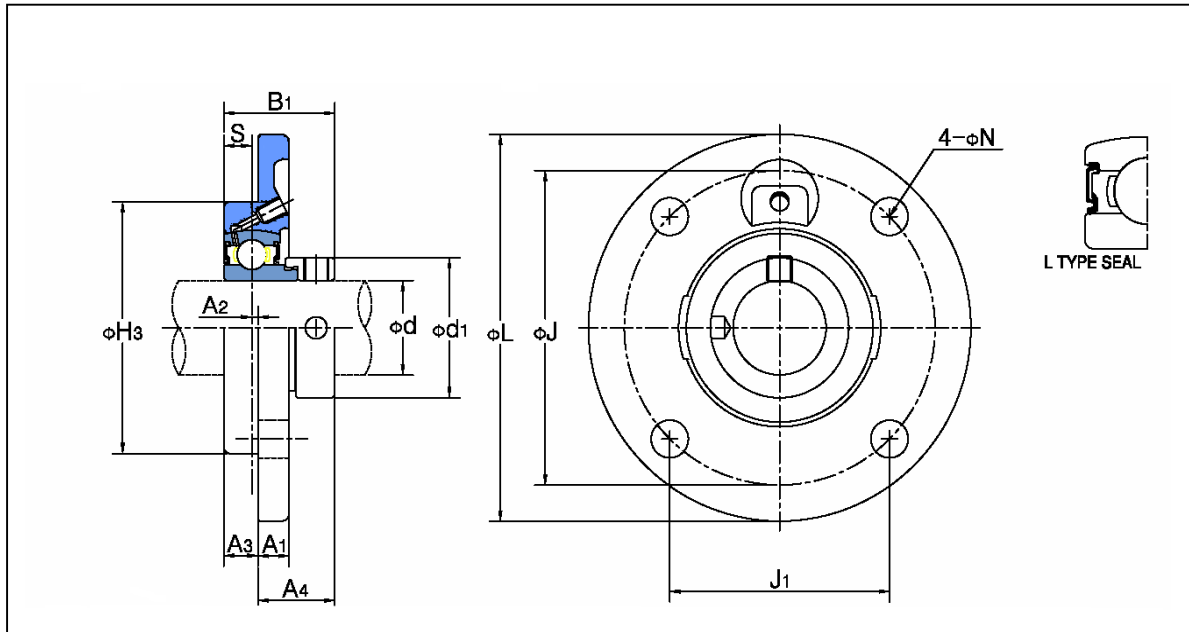
Dimensions

L = 135

J = 110

J₁ = 77.8

N = 11.5



Dimensions

d = 35

H₃ = 90

A₁ = 10

A₂ = 1

A₃ = 10.5

A₄ = 28.4

B₁ = 38.9

S = 9.5

d₁ = 55.6

Bolt (mm) = 10

Bolt (inch) = 3/8

Mass (kgf) = 1.25

Basic Dynamic Load Rating C_r: 25203 N

Basic Static Load Rating C_{0r}: 15102 N