

ROECO

Bearing Data

Ball Bearing Units

Bearing No.: **KHFCC 206**

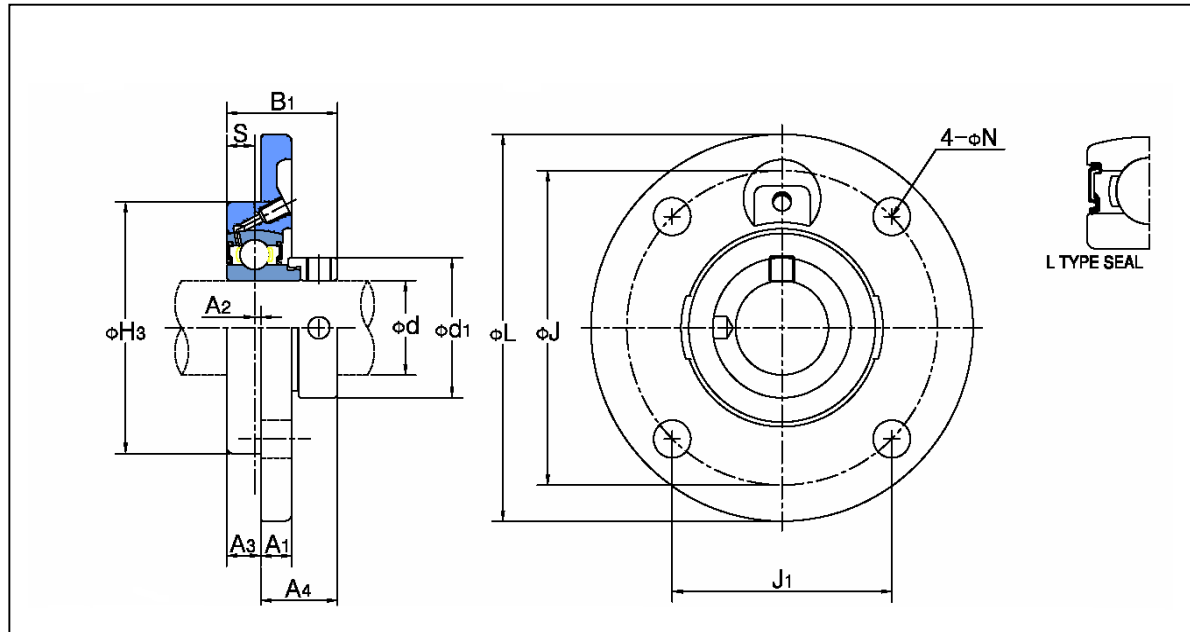
Dimensions

L = 123

J = 100

J₁ = 70.7

N = 12



Dimensions

d = 30

H₃ = 80

A₁ = 10

A₂ = 3

A₃ = 11

A₄ = 23.7

B₁ = 35.7

S = 9

d₁ = 44.5

Bolt (mm) = 10

Bolt (inch) = 3/8

Mass (kgf) = 0.95

Basic Dynamic Load Rating C_r: 19123 N

Basic Static Load Rating C_{0r}: 11082 N