

ROECO

Bearing Data

Ball Bearing Units

Bearing No.: **KHFCC 205**

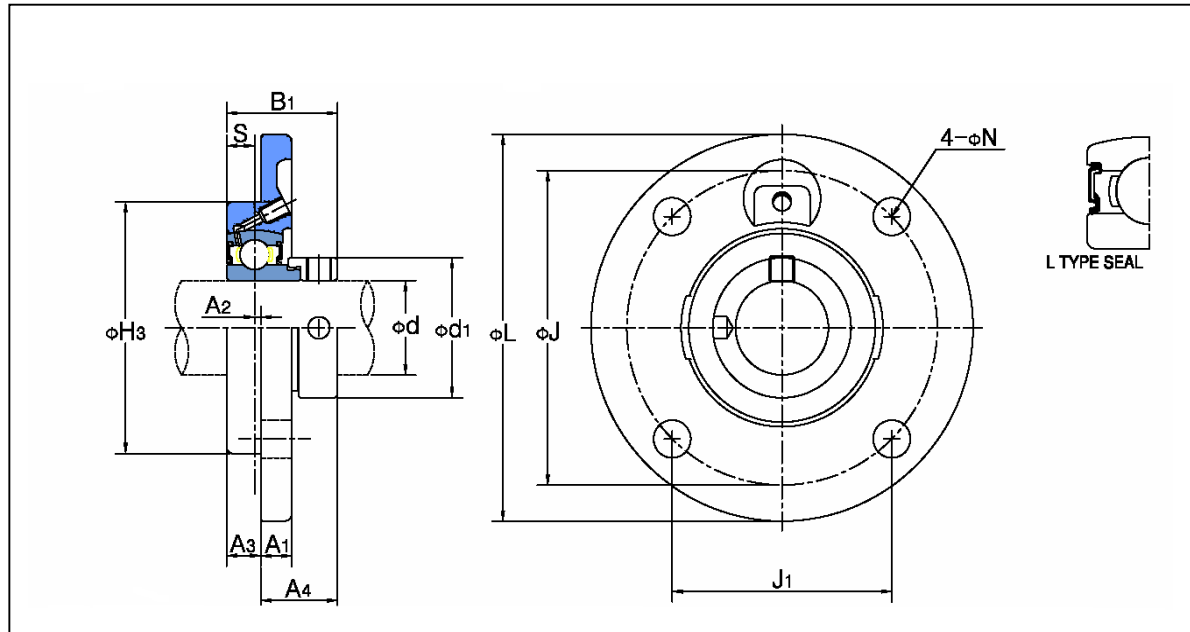
Dimensions

L = 115

J = 90

J₁ = 63.6

N = 9



Dimensions

d = 25

H₃ = 70

A₁ = 9

A₂ = 2.5

A₃ = 10

A₄ = 21

B₁ = 31

S = 7.5

d₁ = 38.1

Bolt (mm) = 8

Bolt (inch) = 5/16

Mass (kgf) = 0.80

Basic Dynamic Load Rating C_r: 13729 N

Basic Static Load Rating C_{0r}: 7747 N