

ROECO

Bearing Data

Ball Bearing Units

Bearing No.: **KHFCC 202**

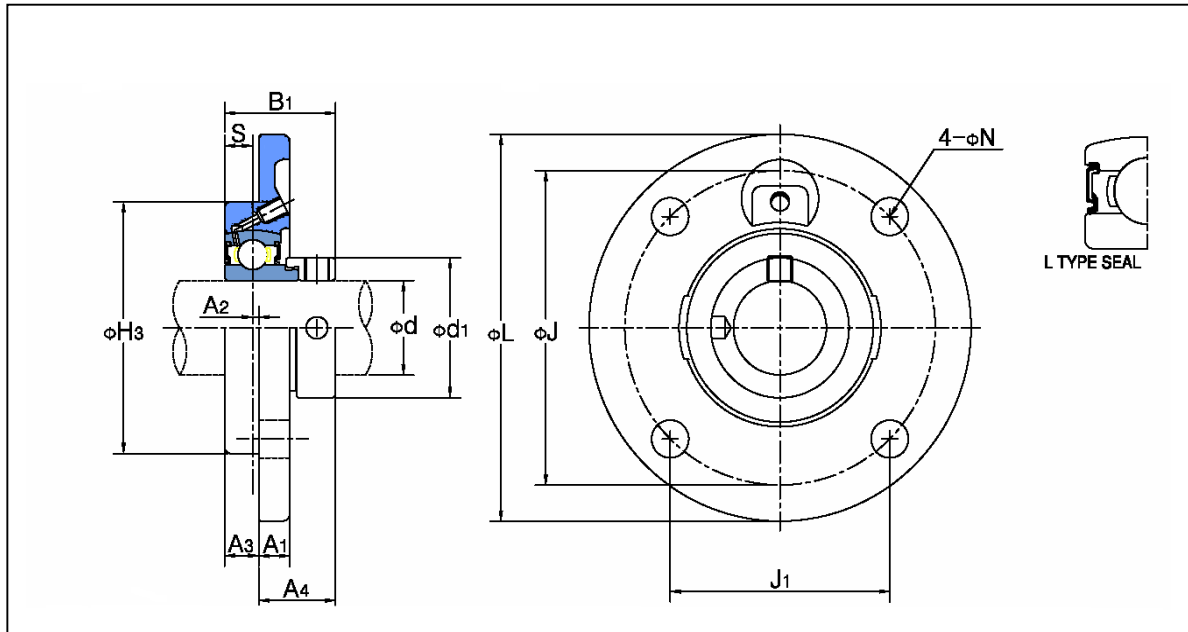
Dimensions

L = 100

J = 78

J₁ = 55.2

N = 9



Dimensions

d = 15

H₃ = 62

A₁ = 8

A₂ = 2

A₃ = 9

A₄ = 21.5

B₁ = 31.0

S = 7.5

d₁ = 33.3

Bolt (mm) = 8

Bolt (inch) = 5/16

Mass (kgf) = 0.53

Basic Dynamic Load Rating C_r: 9410 N

Basic Static Load Rating C_{0r}: 4707 N