

ROECO

## Bearing Data

Ball Bearing Units

Bearing No.: **KHFCC 201**

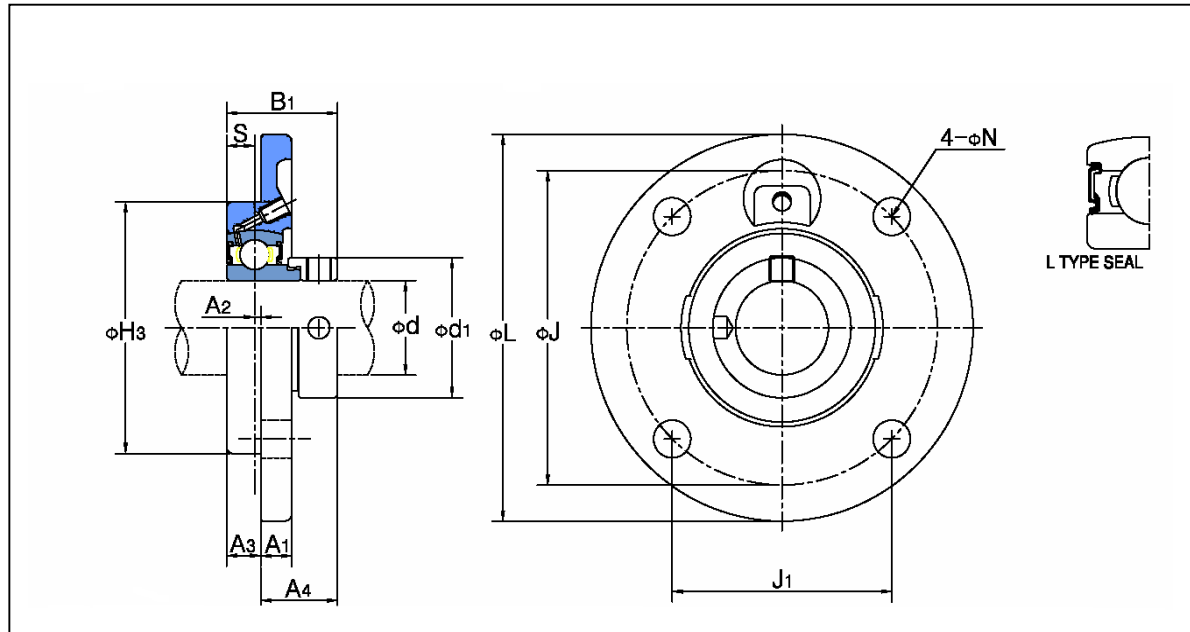
### Dimensions

L = 100

J = 78

J<sub>1</sub> = 55.2

N = 9



### Dimensions

d = 12

H<sub>3</sub> = 62

A<sub>1</sub> = 8

A<sub>2</sub> = 2

A<sub>3</sub> = 9

A<sub>4</sub> = 21.5

B<sub>1</sub> = 31.0

S = 7.5

d<sub>1</sub> = 33.3

Bolt (mm) = 8

Bolt (inch) = 5/16

Mass (kgf) = 0.53

Basic Dynamic Load Rating C<sub>r</sub>: 9410 N

Basic Static Load Rating C<sub>0r</sub>: 4707 N