

ROECO

# Bearing Data

## Ball Bearing Units

Bearing No. : **CUCF324C**

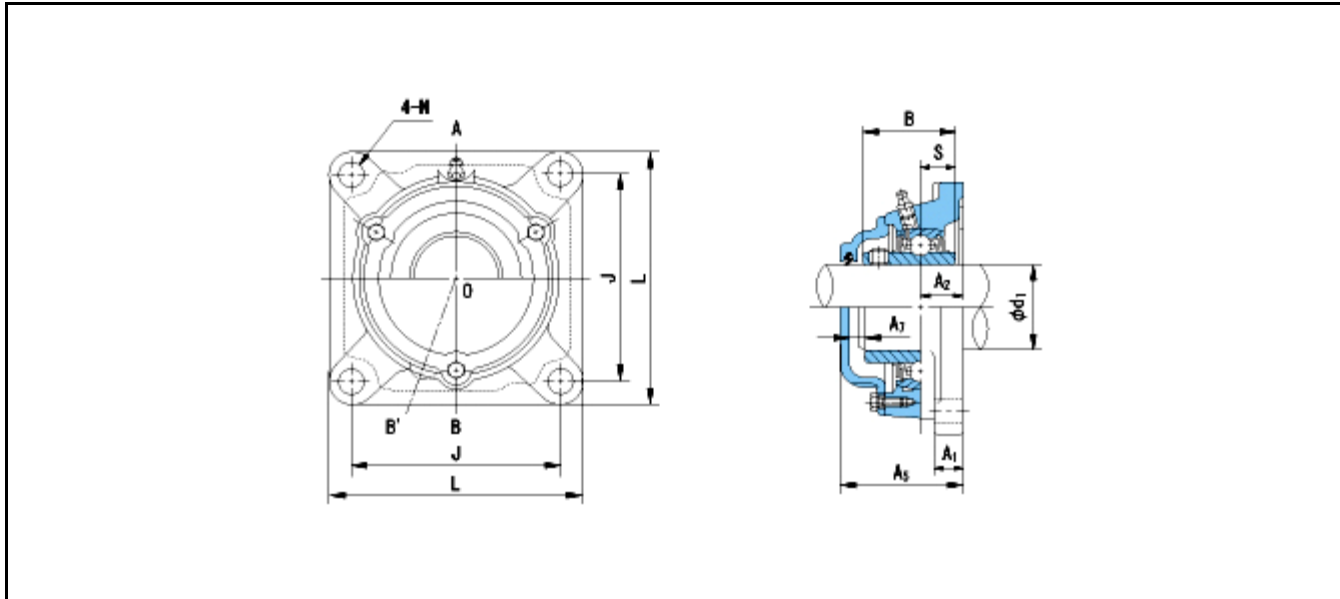
Dimensions

L = 370

J = 290

N = 41

A = 110



Dimensions

d1 = 120

A1 = 40

A2 = 65

B = 126

S = 51

A5 = 175

A7 = 25

Mass = 52.3 kg

Basic Dynamic Load Rating Cr : **207000 N**

Basic Static Load Rating Cor : **184800 N**

Limiting Speed ;

Grease Lubrication : - rpm

Oil Lubrication : - rpm

**INNER RING    OUTER RING**

O.D.Surface Runout with Side : -

Axial Runout with Bore : -

Axial Runout with Raceway : -

Width Variation : -

Radial Runout : -