

ROECO

# Bearing Data

## Ball Bearing Units

Bearing No. : **CUCF317CE**

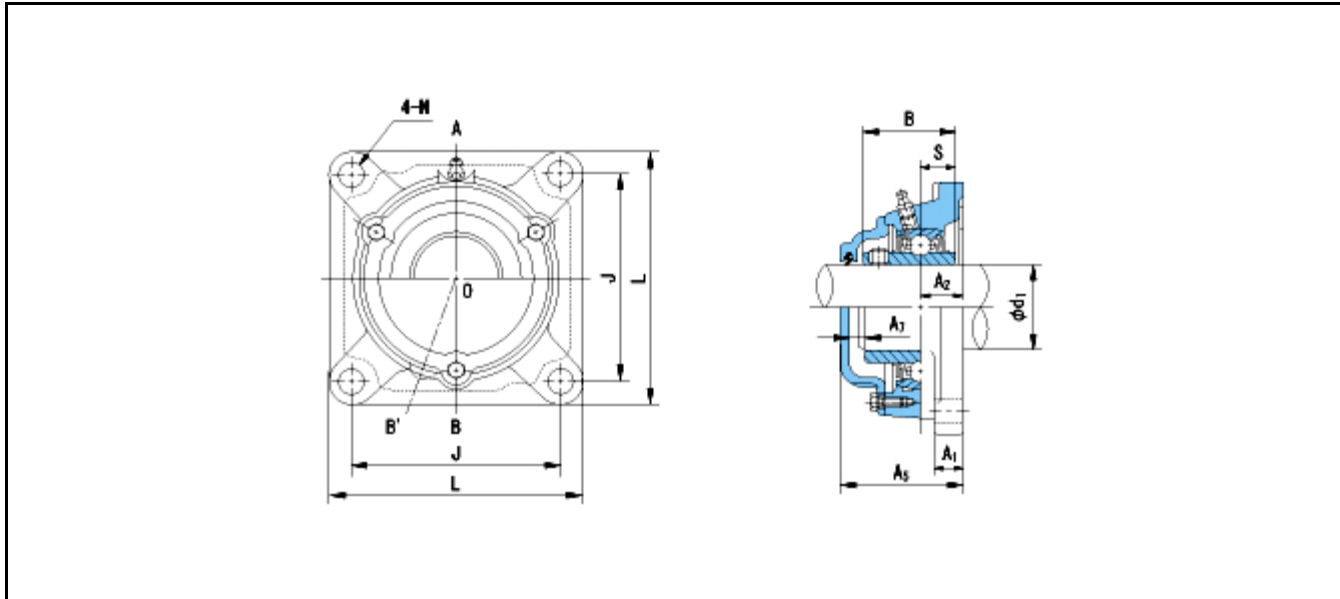
Dimensions

L = 260

J = 204

N = 31

A = 74



Dimensions

d1 = 85

A1 = 27

A2 = 44

B = 96

S = 40

A5 = 126

A7 = 18

Mass = 18.4 kg

Basic Dynamic Load Rating Cr :	<b>132000 N</b>			
Basic Static Load Rating Cor :	<b>96500 N</b>	O.D.Surface Runout with Side :		-
Limiting Speed ;		Axial Runout with Bore :	-	
Grease Lubrication :	- rpm	Axial Runout with Raceway :	-	-
Oil Lubrication :	- rpm	Width Variation :	-	-
		Radial Runout :	-	-