

ROECO

# Bearing Data

## Ball Bearing Units

Bearing No. : **CUCF315CE**

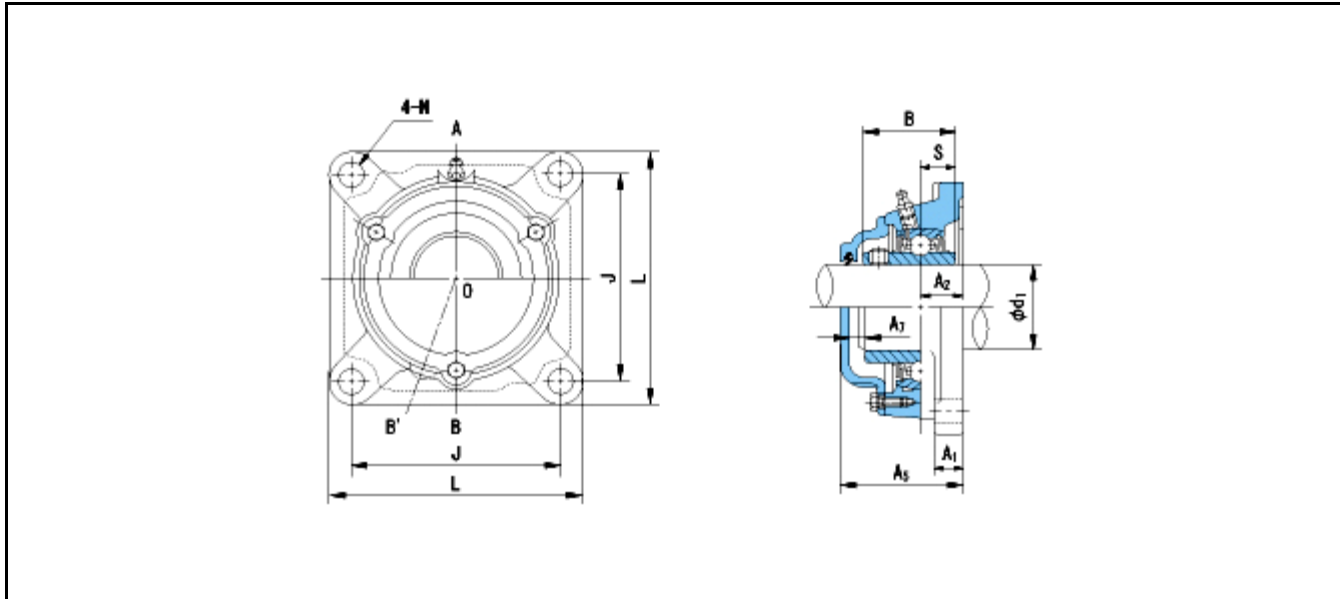
Dimensions

L = 236

J = 184

N = 25

A = 66



Dimensions

d1 = 75

A1 = 25

A2 = 39

B = 82

S = 32

A5 = 114

A7 = 17

Mass = 13.6 kg

|                                |                 |                                |  |  |   |
|--------------------------------|-----------------|--------------------------------|--|--|---|
| Basic Dynamic Load Rating Cr : | <b>114000 N</b> |                                |  |  |   |
| Basic Static Load Rating Cor : | <b>76900 N</b>  | O.D.Surface Runout with Side : |  |  | - |
| Limiting Speed ;               |                 | Axial Runout with Bore :       |  |  | - |
| Grease Lubrication :           | - rpm           | Axial Runout with Raceway :    |  |  | - |
| Oil Lubrication :              | - rpm           | Width Variation :              |  |  | - |
|                                |                 | Radial Runout :                |  |  | - |