

ROECO

Bearing Data

Ball Bearing Units

Bearing No. : **CUCF314C**

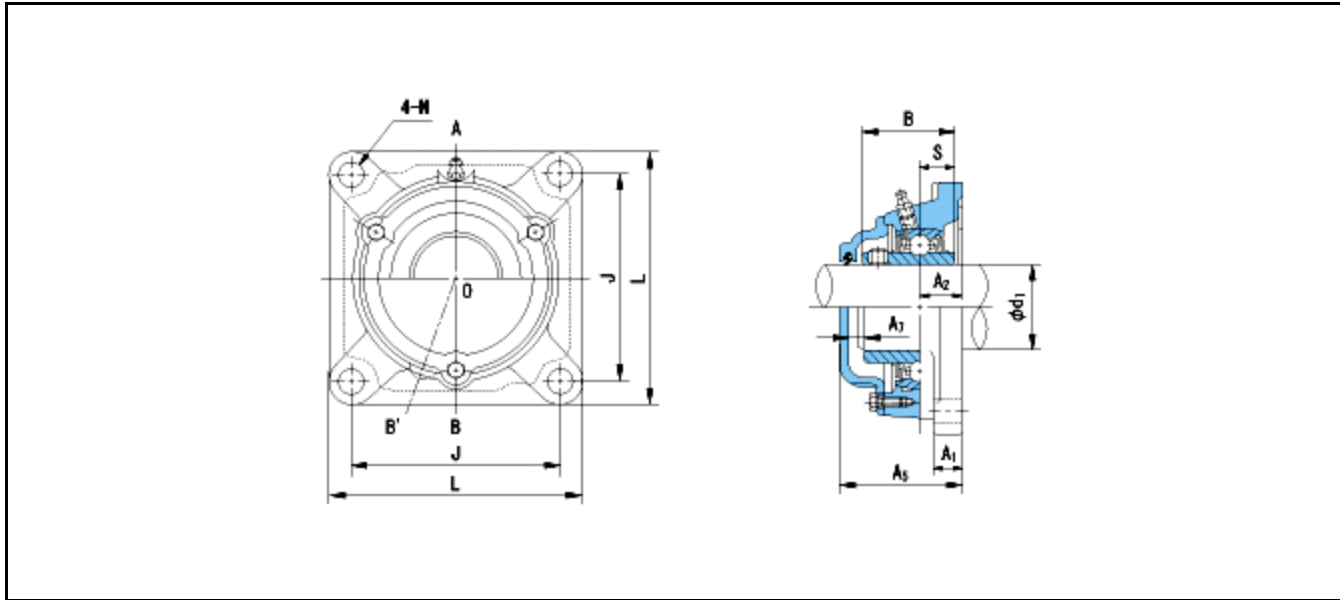
Dimensions

L = 226

J = 178

N = 25

A = 61



Dimensions

d1 = 70

A1 = 25

A2 = 36

B = 78

S = 33

A5 = 106

A7 = 17

Mass = 12.1 kg

Basic Dynamic Load Rating Cr : **104000 N**

Basic Static Load Rating Cor : **68000 N**

Limiting Speed ;

Grease Lubrication : - rpm

Oil Lubrication : - rpm

INNER RING OUTER RING

O.D.Surface Runout with Side : -

Axial Runout with Bore : -

Axial Runout with Raceway : -

Width Variation : -

Radial Runout : -