

ROECO

Bearing Data

Ball Bearing Units

Bearing No. : **CUCF307C**

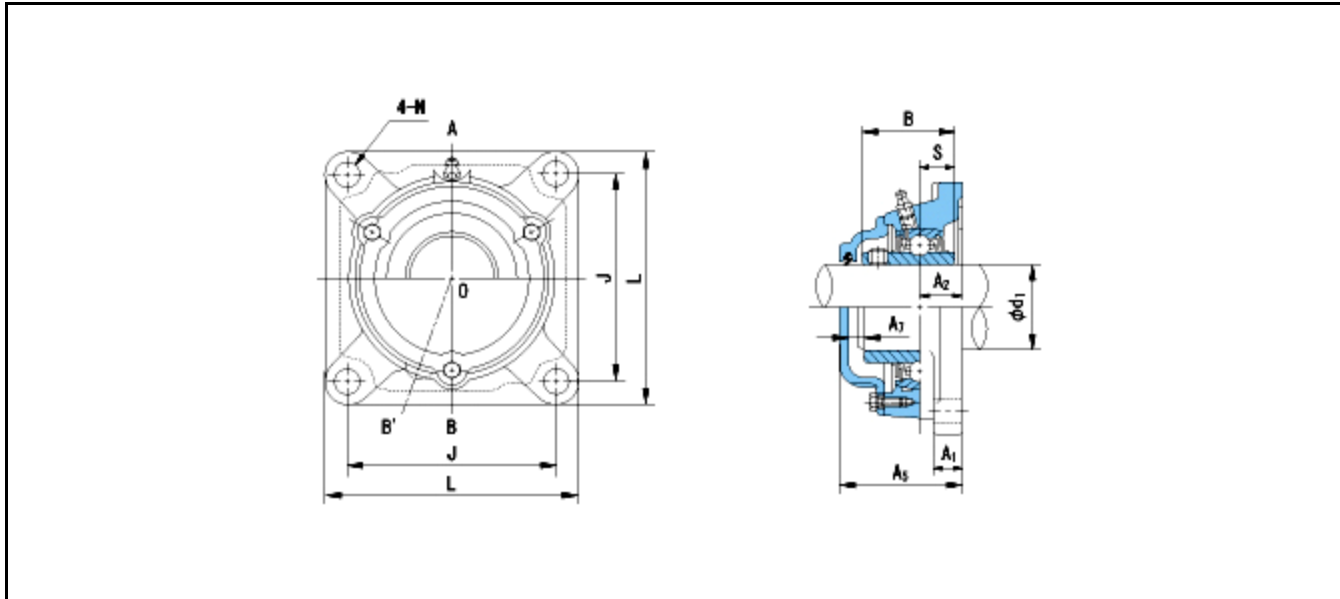
Dimensions

L = 135

J = 100

N = 19

A = 36



Dimensions

d1 = 35

A1 = 16

A2 = 20

B = 48

S = 19

A5 = 65

A7 = 10

Mass = 2.6 kg

Basic Dynamic Load Rating Cr :	33500 N				
Basic Static Load Rating Cor :	19200 N	O.D.Surface Runout with Side :			-
Limiting Speed ;		Axial Runout with Bore :			-
Grease Lubrication :	- rpm	Axial Runout with Raceway :			-
Oil Lubrication :	- rpm	Width Variation :			-
		Radial Runout :			-