

ROECO

# Bearing Data

## Ball Bearing Units

Bearing No. : **CUCF306CE**

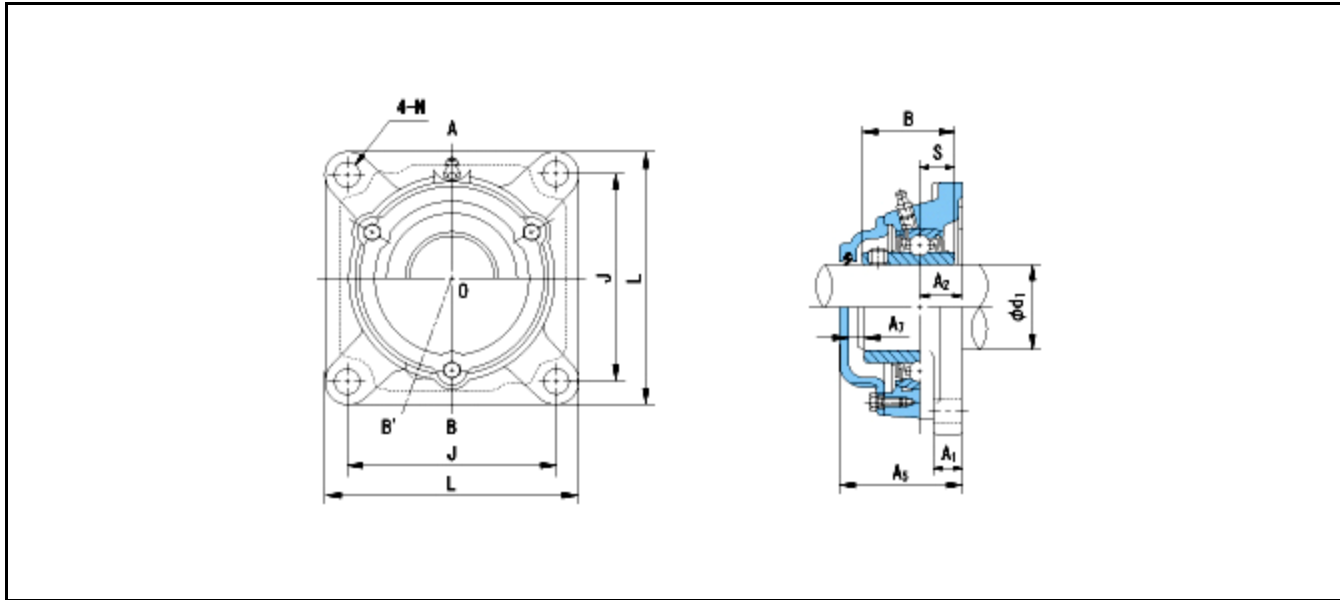
Dimensions

L = 125

J = 95

N = 16

A = 32



Dimensions

d1 = 30

A1 = 15

A2 = 18

B = 43

S = 17

A5 = 60

A7 = 10

Mass = 2.1 kg

Basic Dynamic Load Rating Cr : **26800 N**

Basic Static Load Rating Cor : **15000 N**

Limiting Speed ;

Grease Lubrication : - rpm

Oil Lubrication : - rpm

**INNER RING    OUTER RING**

O.D.Surface Runout with Side : -

Axial Runout with Bore : -

Axial Runout with Raceway : -

Width Variation : -

Radial Runout : -