

ROECO

# Bearing Data

## Ball Bearing Units

Bearing No. : **CUCF215CE**

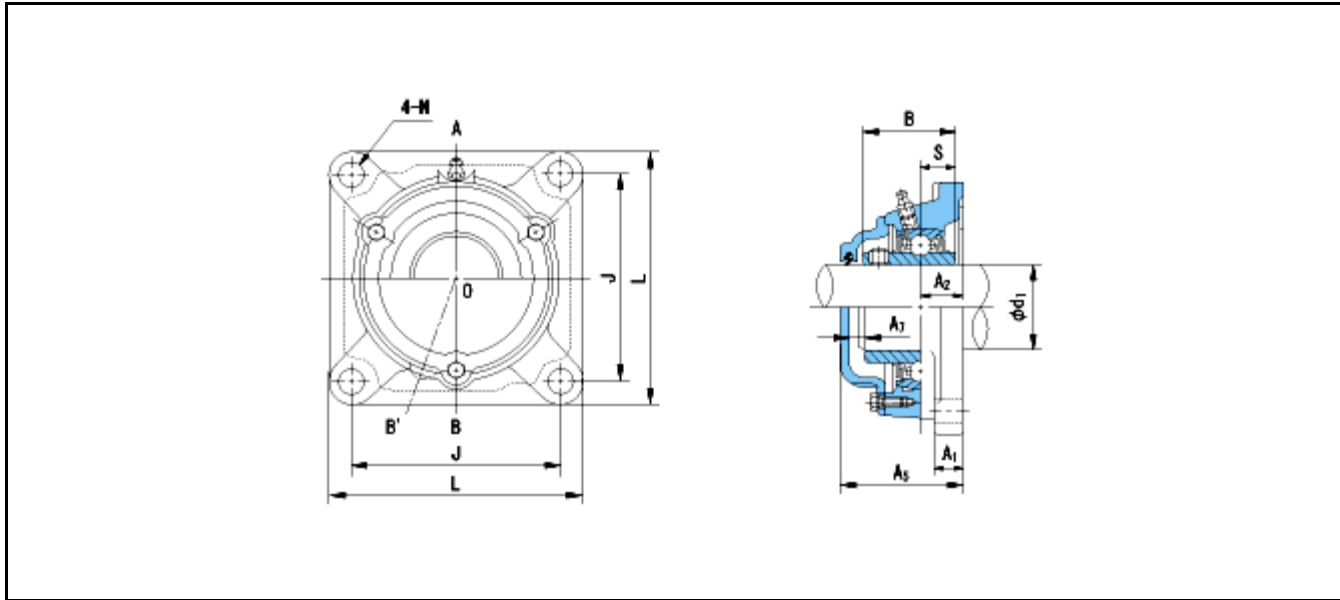
Dimensions

L = 200

J = 159

N = 19

A = 56



Dimensions

d1 = 75

A1 = 24

A2 = 34

B = 77.8

S = 33.3

A5 = 102

A7 = 17

Mass = 8.6 kg

Basic Dynamic Load Rating Cr :	<b>66000 N</b>		<b>INNER RING</b>	<b>OUTER RING</b>
Basic Static Load Rating Cor :	<b>48200 N</b>	O.D.Surface Runout with Side :		-
Limiting Speed ;		Axial Runout with Bore :	-	-
Grease Lubrication :	- rpm	Axial Runout with Raceway :	-	-
Oil Lubrication :	- rpm	Width Variation :	-	-
		Radial Runout :	-	-