

ROECO

# Bearing Data

## Ball Bearing Units

Bearing No. : **CUCF213CE**

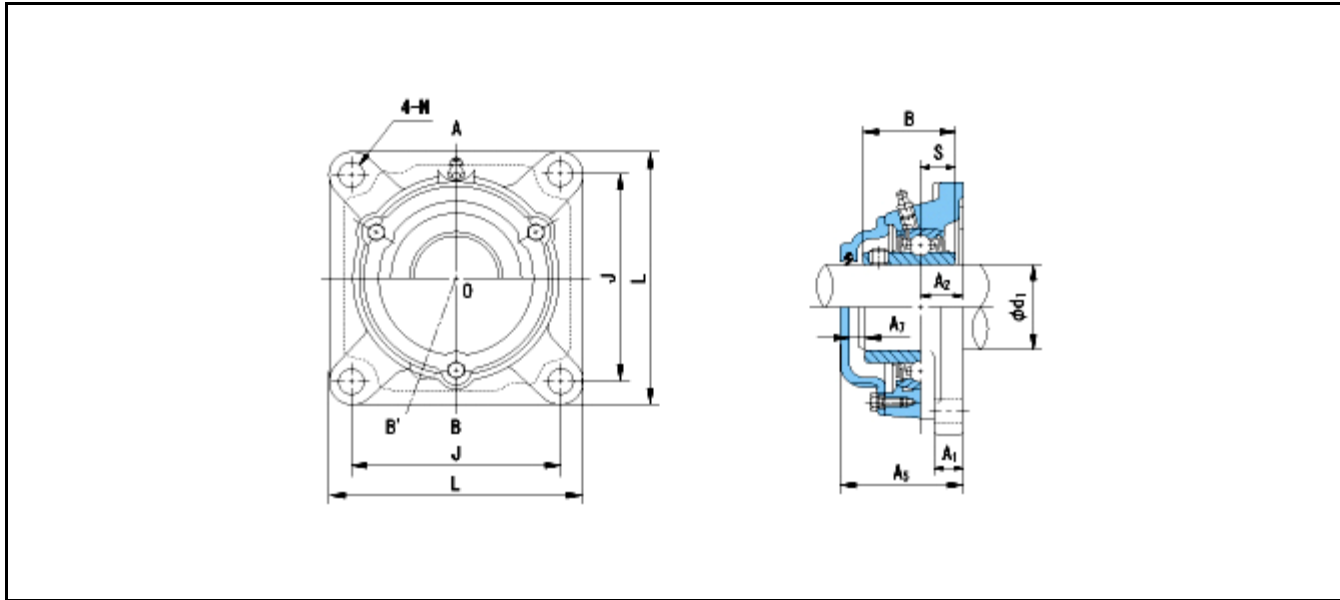
Dimensions

L = 187

J = 149

N = 19

A = 50



Dimensions

d1 = 65

A1 = 20

A2 = 30

B = 65.1

S = 25.4

A5 = 89

A7 = 13

Mass = 7.1 kg

Basic Dynamic Load Rating Cr : **57500 N**

Basic Static Load Rating Cor : **40000 N**

Limiting Speed ;

Grease Lubrication : - rpm

Oil Lubrication : - rpm

INNER RING OUTER RING

O.D.Surface Runout with Side : -

Axial Runout with Bore : -

Axial Runout with Raceway : -

Width Variation : -

Radial Runout : -