

ROECO

Bearing Data

Ball Bearing Units

Bearing No. : **CUCF212CE**

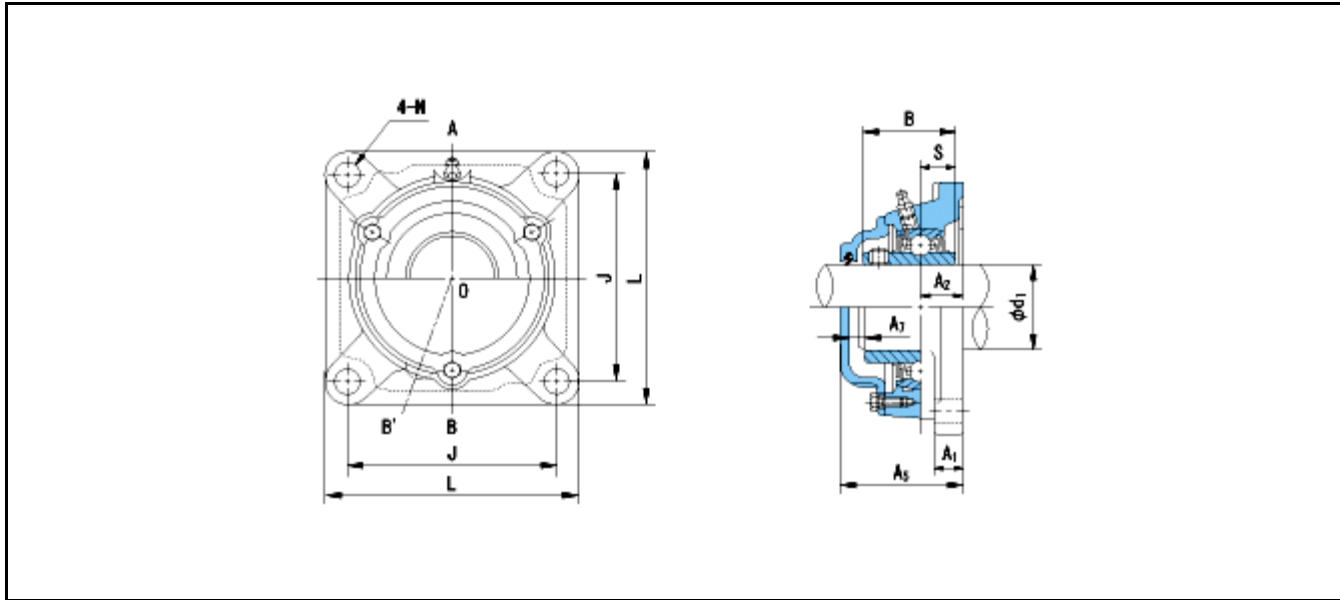
Dimensions

L = 175

J = 143

N = 19

A = 48



Dimensions

d1 = 60

A1 = 20

A2 = 29

B = 65.1

S = 25.4

A5 = 86

A7 = 11

Mass = 5.9 kg

Basic Dynamic Load Rating Cr : **52500 N**

Basic Static Load Rating Cor : **36100 N**

Limiting Speed ;

Grease Lubrication : - rpm

Oil Lubrication : - rpm

INNER RING OUTER RING

O.D.Surface Runout with Side : -

Axial Runout with Bore : -

Axial Runout with Raceway : -

Width Variation : -

Radial Runout : -