

ROECO

# Bearing Data

## Ball Bearing Units

Bearing No. : **CUCF211CE**

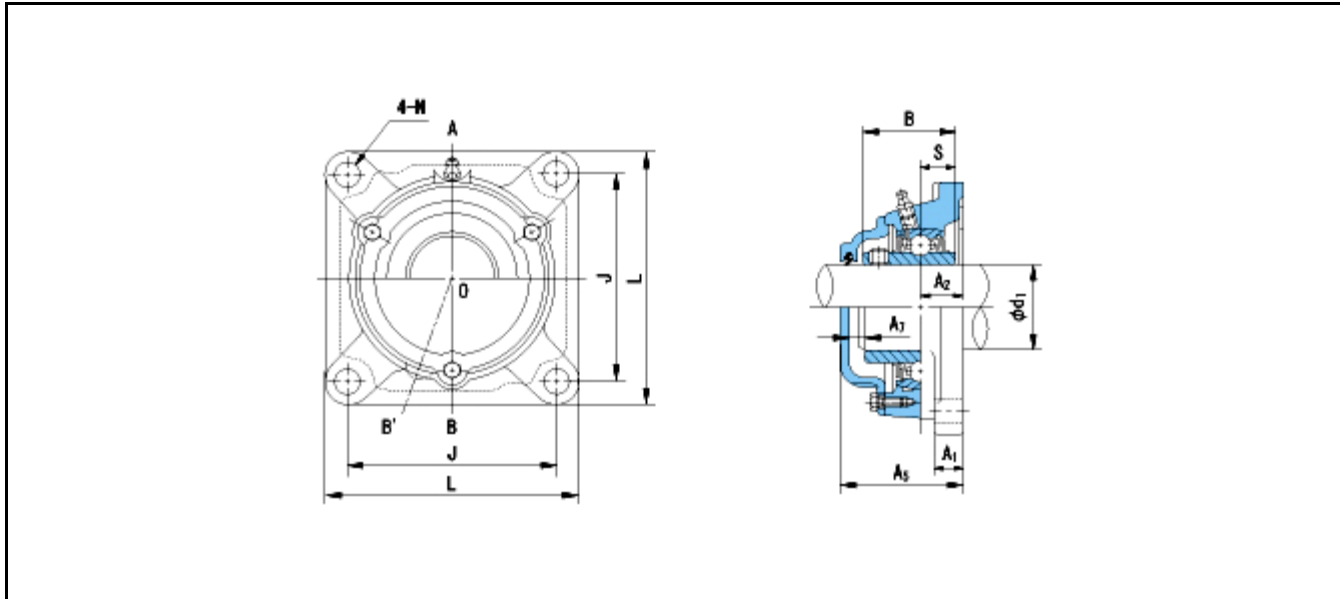
Dimensions

L = 162

J = 130

N = 19

A = 43



Dimensions

d1 = 55

A1 = 20

A2 = 25

B = 55.6

S = 22.2

A5 = 75

A7 = 10

Mass = 4.6 kg

Basic Dynamic Load Rating Cr :	<b>43000 N</b>				
Basic Static Load Rating Cor :	<b>29400 N</b>	O.D.Surface Runout with Side :			-
Limiting Speed ;		Axial Runout with Bore :			-
Grease Lubrication :	- rpm	Axial Runout with Raceway :			-
Oil Lubrication :	- rpm	Width Variation :			-
		Radial Runout :			-