

ROECO

# Bearing Data

## Ball Bearing Units

Bearing No. : **CUCF210CE**

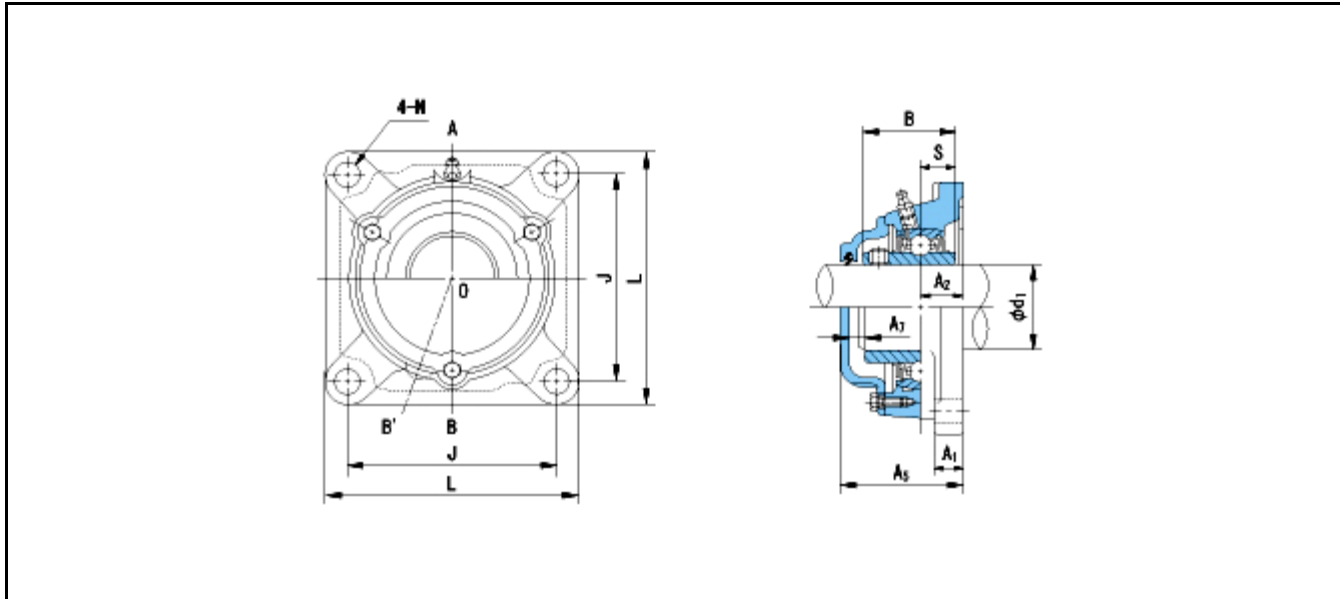
Dimensions

L = 143

J = 111

N = 16

A = 40



Dimensions

d1 = 50

A1 = 18

A2 = 22

B = 51.6

S = 19

A5 = 71

A7 = 10

Mass = 3.6 kg

Basic Dynamic Load Rating Cr :	<b>35500 N</b>				
Basic Static Load Rating Cor :	<b>23200 N</b>	O.D.Surface Runout with Side :			-
Limiting Speed ;		Axial Runout with Bore :			-
Grease Lubrication :	- rpm	Axial Runout with Raceway :			-
Oil Lubrication :	- rpm	Width Variation :			-
		Radial Runout :			-