

ROECO

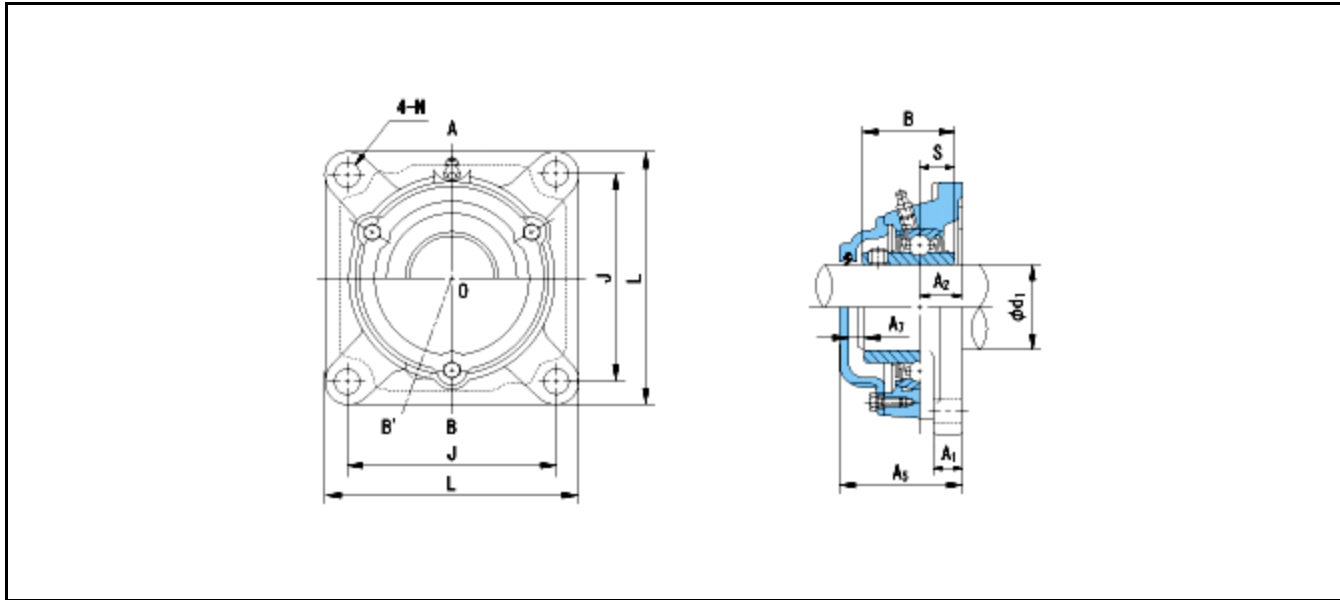
# Bearing Data

## Ball Bearing Units

Bearing No. : **CUCF204CE**

Dimensions

L = 86  
J = 64  
N = 12  
A = 25.5



Dimensions

d1 = 20  
A1 = 12  
A2 = 15  
B = 31  
S = 12.7  
A5 = 46  
A7 = 6  
Mass = 1 kg

Basic Dynamic Load Rating Cr :	<b>12800 N</b>			
Basic Static Load Rating Cor :	<b>6600 N</b>	O.D.Surface Runout with Side :		-
Limiting Speed ;		Axial Runout with Bore :		-
Grease Lubrication :	- rpm	Axial Runout with Raceway :		-
Oil Lubrication :	- rpm	Width Variation :		-
		Radial Runout :		-