

ROECO

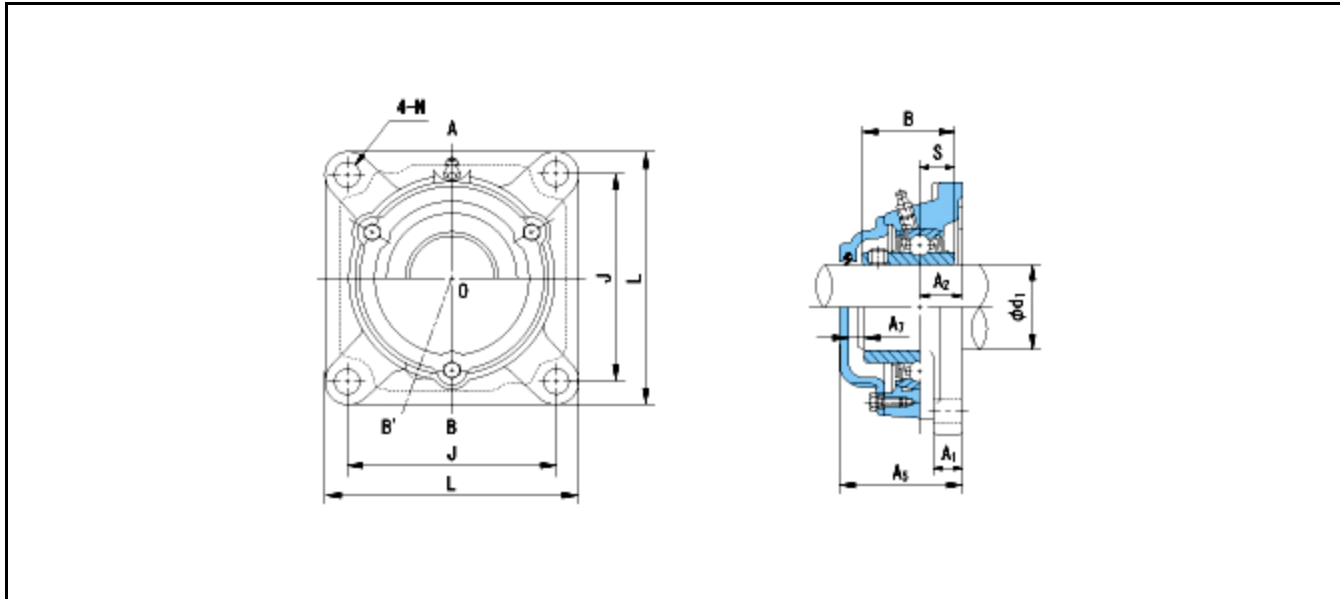
Bearing Data

Ball Bearing Units

Bearing No. : **CUCF203CE**

Dimensions

- L = 86
- J = 64
- N = 12
- A = 25.5



Dimensions

- d1 = 17
- A1 = 12
- A2 = 15
- B = 31
- S = 12.7
- A5 = 46
- A7 = 6
- Mass = 1 kg

Basic Dynamic Load Rating Cr :	12800 N			
Basic Static Load Rating Cor :	6600 N	O.D.Surface Runout with Side :		-
Limiting Speed ;		Axial Runout with Bore :	-	-
Grease Lubrication :	- rpm	Axial Runout with Raceway :	-	-
Oil Lubrication :	- rpm	Width Variation :	-	-
		Radial Runout :	-	-