

ROECO

Bearing Data

Ball Bearing Units

Bearing No. : **BPFL7**

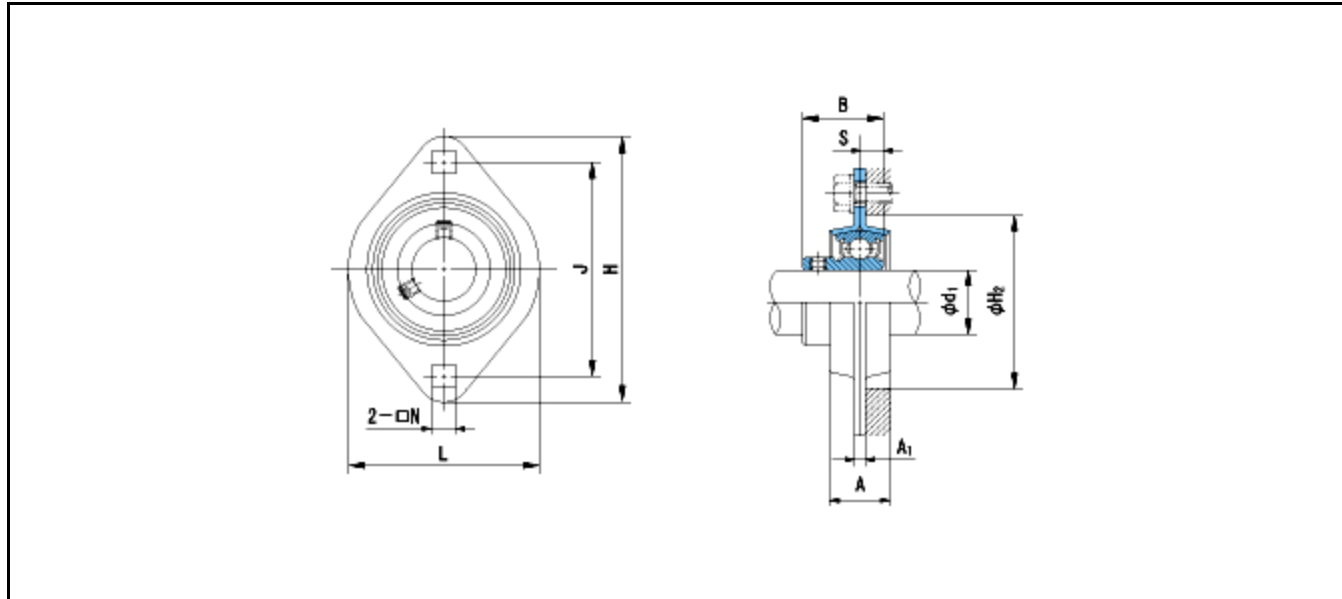
Dimensions

H = 125

L = 94

J = 100

N = 11



Dimensions

d1 = 35

A = 20

A1 = 5.2

H2 = 81

B = 32.9

S = 8.5

Mass = 0.7 kg

Basic Dynamic Load Rating Cr :	25900 N	INNER RING	OUTER RING
Basic Static Load Rating Cor :	15400 N	O.D.Surface Runout with Side :	-
Limiting Speed ;		Axial Runout with Bore :	-
Grease Lubrication :	- rpm	Axial Runout with Raceway :	-
Oil Lubrication :	- rpm	Width Variation :	-
		Radial Runout :	-