

ROECO

Bearing Data

Ball Bearing Units

Bearing No. : **BPFL6**

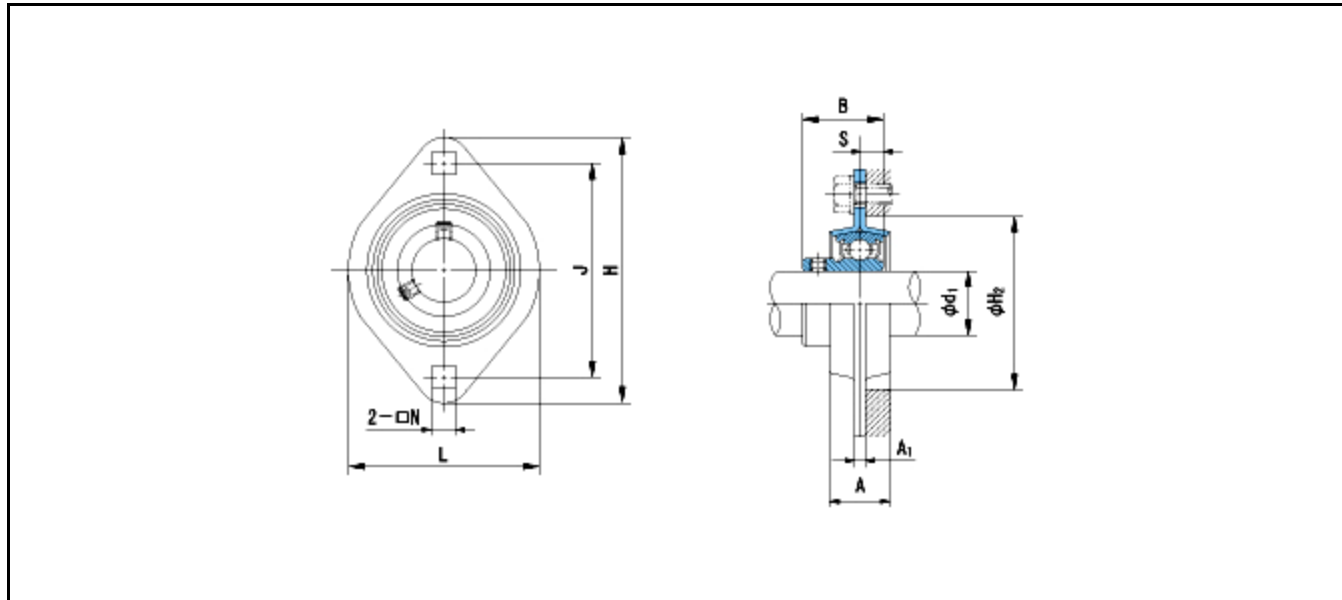
Dimensions

H = 113

L = 84

J = 90.5

N = 11



Dimensions

d1 = 30

A = 18

A1 = 5.2

H2 = 71

B = 30.3

S = 8

Mass = 0.56 kg

Basic Dynamic Load Rating Cr :	19600 N	INNER RING	OUTER RING
Basic Static Load Rating Cor :	11300 N	O.D.Surface Runout with Side :	-
Limiting Speed ;		Axial Runout with Bore :	-
Grease Lubrication :	- rpm	Axial Runout with Raceway :	-
Oil Lubrication :	- rpm	Width Variation :	-
		Radial Runout :	-