

ROECO

Bearing Data

Ball Bearing Units

Bearing No. : **BPFL5**

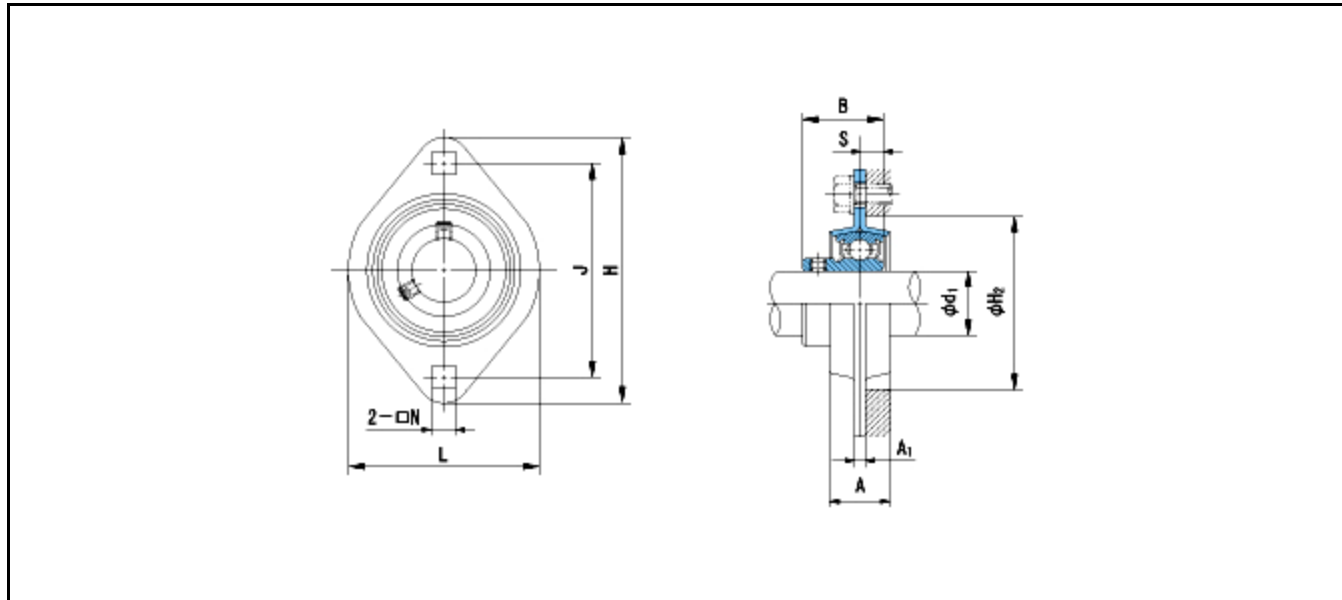
Dimensions

H = 95

L = 71

J = 76

N = 9



Dimensions

d1 = 25

A = 18

A1 = 4

H2 = 60

B = 27

S = 7.5

Mass = 0.36 kg

Basic Dynamic Load Rating Cr :	14000 N			
Basic Static Load Rating Cor :	7900 N	O.D.Surface Runout with Side :		-
Limiting Speed ;		Axial Runout with Bore :	-	-
Grease Lubrication :	- rpm	Axial Runout with Raceway :	-	-
Oil Lubrication :	- rpm	Width Variation :	-	-
		Radial Runout :	-	-