

ROECO

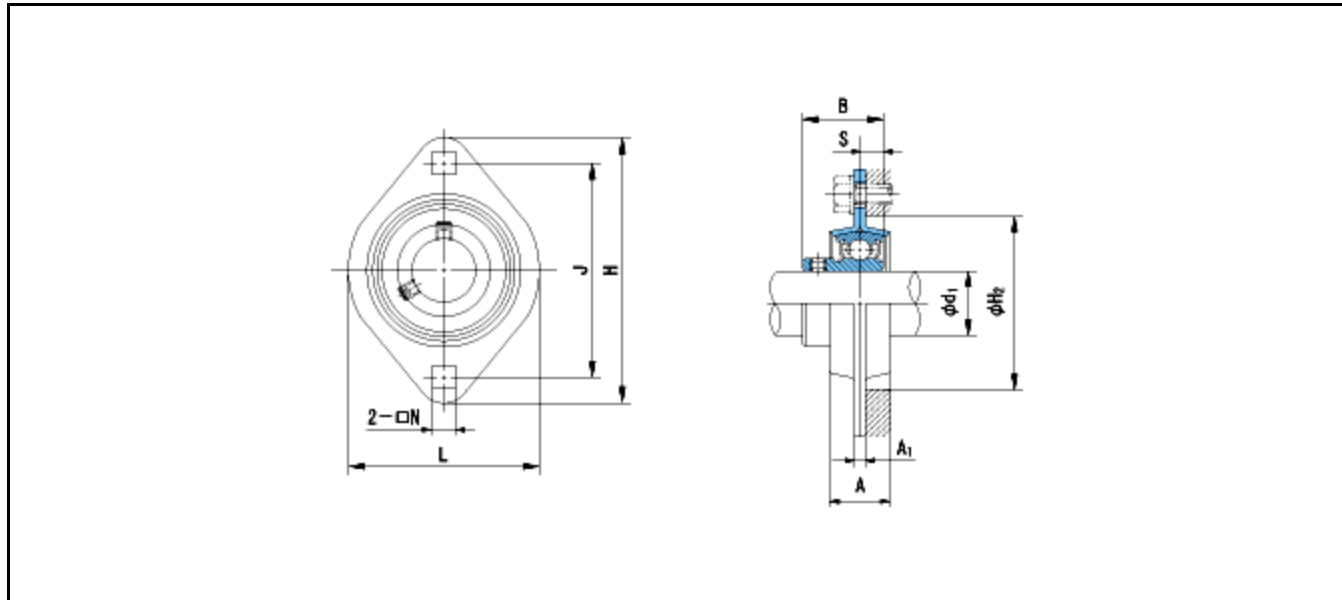
Bearing Data

Ball Bearing Units

Bearing No. : **BPFL3**

Dimensions

- H = 81
- L = 59
- J = 63.5
- N = 7



Dimensions

- d1 = 17
- A = 14
- A1 = 4
- H2 = 49
- B = 22
- S = 6
- Mass = 0.22 kg

Basic Dynamic Load Rating Cr :	9550 N		
Basic Static Load Rating Cor :	4800 N	O.D.Surface Runout with Side :	-
Limiting Speed ;		Axial Runout with Bore :	-
Grease Lubrication :	- rpm	Axial Runout with Raceway :	-
Oil Lubrication :	- rpm	Width Variation :	-
		Radial Runout :	-

INNER RING OUTER RING