

ROECO

Bearing Data

Ball Bearing Units

Bearing No. : **BPFL1**

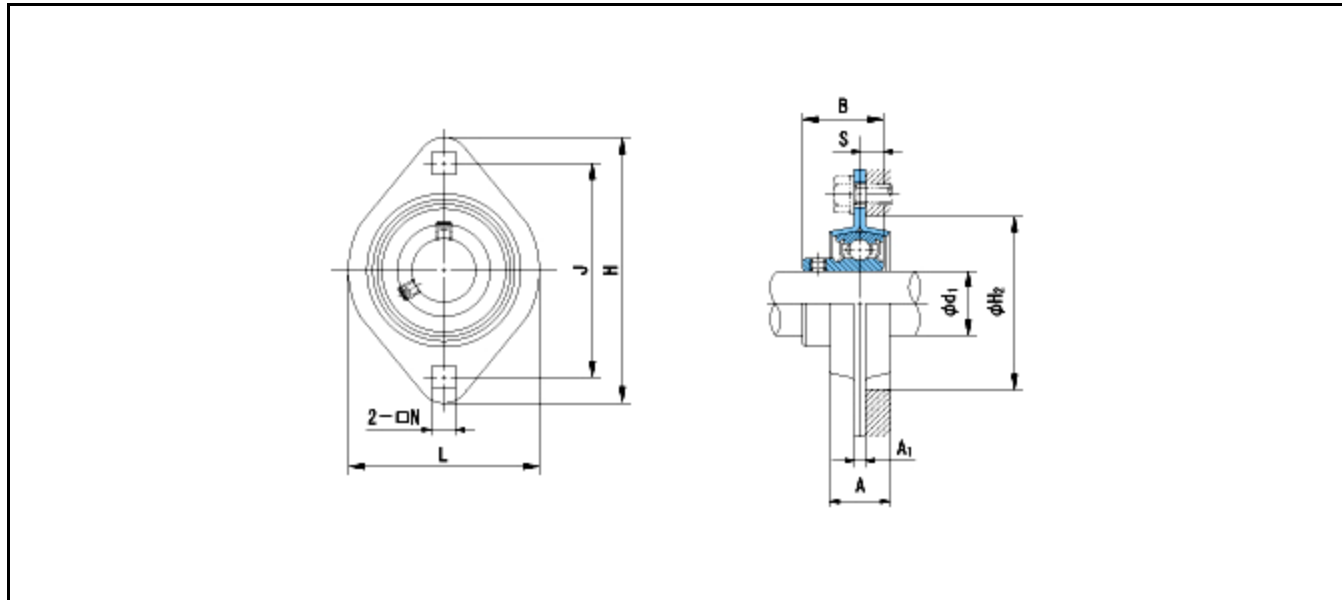
Dimensions

H = 81

L = 59

J = 63.5

N = 7



Dimensions

d1 = 12

A = 14

A1 = 4

H2 = 49

B = 22

S = 6

Mass = 0.25 kg

Basic Dynamic Load Rating Cr :	9550 N	INNER RING	OUTER RING
Basic Static Load Rating Cor :	4800 N	O.D.Surface Runout with Side :	-
Limiting Speed ;		Axial Runout with Bore :	-
Grease Lubrication :	- rpm	Axial Runout with Raceway :	-
Oil Lubrication :	- rpm	Width Variation :	-
		Radial Runout :	-