

ROECO

Bearing Data

Ball Bearing Units

Bearing No. : **B7**

Dimensions

d = 35

D = 72

B = 32.9

C = 17

r = 2

S = 8.5

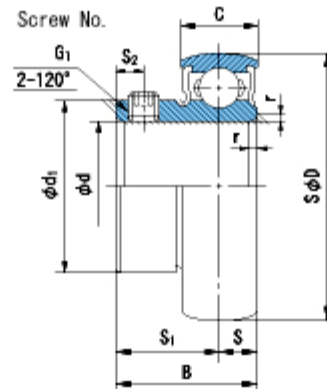
S1 = 24.4

S2 = 6

G1 = M8*1

d1 = 48

Mass = 0.38 kg



Basic Dynamic Load Rating Cr :	25900 N	INNER RING	OUTER RING
Basic Static Load Rating Cor :	15400 N	O.D.Surface Runout with Side :	-
Limiting Speed ;		Axial Runout with Bore :	-
Grease Lubrication :	- rpm	Axial Runout with Raceway :	-
Oil Lubrication :	- rpm	Width Variation :	-
		Radial Runout :	-