

ROECO

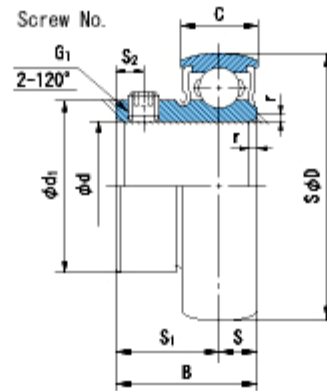
Bearing Data

Ball Bearing Units

Bearing No. : **B6**

Dimensions

d = 30
D = 62
B = 30.3
C = 16
r = 1.5
S = 8
S1 = 22.3
S2 = 5
G1 = M6*0.75
d1 = 40.5
Mass = 0.25 kg



Basic Dynamic Load Rating Cr :	19600 N	INNER RING	OUTER RING
Basic Static Load Rating Cor :	11300 N	O.D.Surface Runout with Side :	-
Limiting Speed ;		Axial Runout with Bore :	-
Grease Lubrication :	- rpm	Axial Runout with Raceway :	-
Oil Lubrication :	- rpm	Width Variation :	-
		Radial Runout :	-