

ROECO

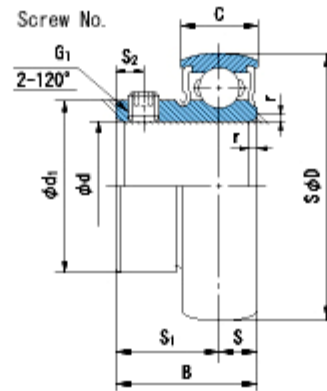
Bearing Data

Ball Bearing Units

Bearing No. : **B3**

Dimensions

d = 17
D = 40
B = 22
C = 12
r = 1
S = 6
S1 = 16
S2 = 4
G1 = M5*0.8
d1 = 24.7
Mass = 0.07 kg



Basic Dynamic Load Rating Cr :	9550 N	INNER RING	OUTER RING
Basic Static Load Rating Cor :	4800 N	O.D.Surface Runout with Side :	-
Limiting Speed ;		Axial Runout with Bore :	-
Grease Lubrication :	- rpm	Axial Runout with Raceway :	-
Oil Lubrication :	- rpm	Width Variation :	-
		Radial Runout :	-